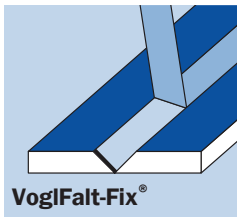


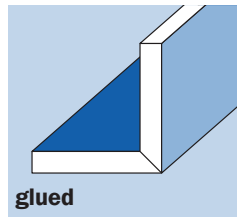


Moulded Components

Available V-grooves

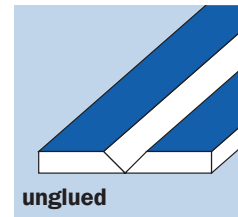


Fold Fix moulded components come flat (space-saving) and factory-supplied with Fold Fix adhesive tape.



glued

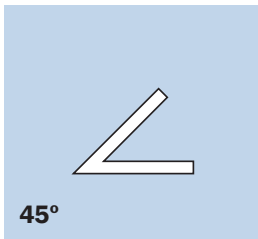
Special glued moulded components come ready to install.



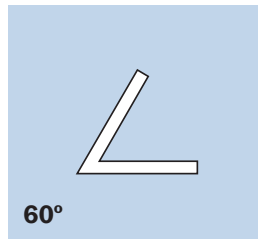
unglued

Special unglued moulded components come flat and must be assembled and glued on site.

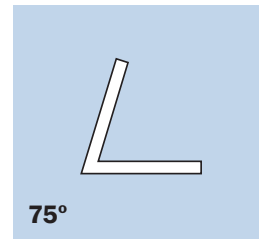
Available angles



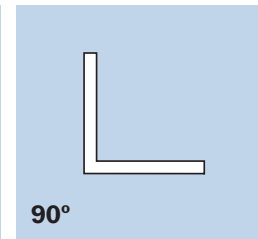
45°



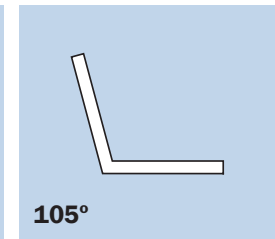
60°



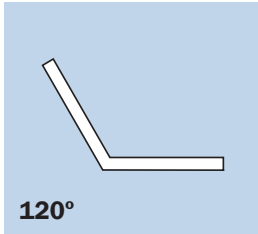
75°



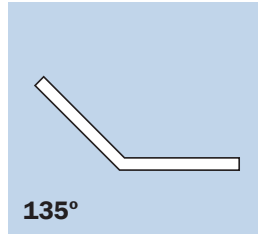
90°



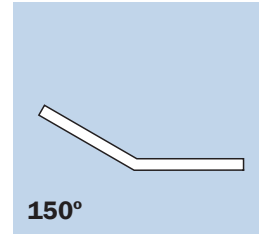
105°



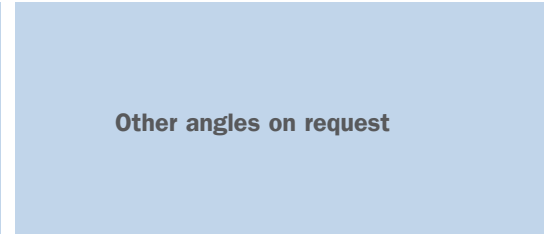
120°



135°

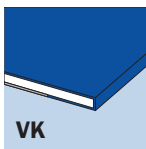


150°



Other angles on request

Available edge designs (subject to technical feasibility)



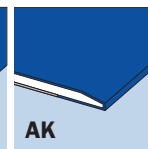
VK

full edge



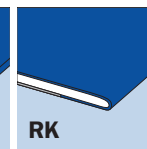
HRAK

half-round flattened edge



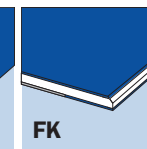
AK

flattened edge



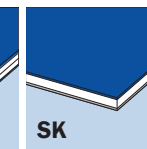
RK

round edge



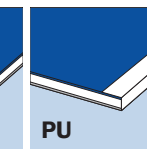
FK

chamfered edge



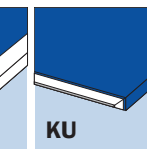
SK

cut edge



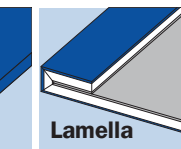
PU

paper-clad edge



KU

cardboard-clad edge



Lamella

lamella edge

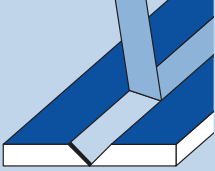
Available panel designs / thicknesses

Type	Description	Function	Thickness in mm
A	Plasterboard type A as per EN 520 Plasterboard type GKB as per DIN 18180	Standard plasterboard Note: available as Thermotec in 10 mm thickness	6.5 mm 9.5 mm 10.0 mm 12.5 mm
DF	Plasterboard type DF as per EN 520 Plasterboard type GKF as per DIN 18180	Plasterboards with improved fire behaviour	12.5 mm 15.0 mm 18.0 mm 20.0 mm 25.0 mm
DFH2	Plasterboard type DFH2 as per EN 520 Plasterboard type GKFI as per DIN 18180	Plasterboards with reduced water absorption (impregnated)	12.5 mm 15.0 mm 20.0 mm 25.0 mm





Moulded Components

Illustration	Item number	Description	Dimensions width length thickness	m ² /pallet pcs./pallet
		Fold Fix moulded components Plasterboards cut to size with 90° V-grooves and Vogl Falt-Fix® adhesive tape	Type of panel Type "A" (EN 520) Custom dimensions and other panel types available on request	
	75700010	Fold Fix moulded components 90° 100+200	300 x 2000 x 12.5 mm	400 m ² /pallet 200 pcs./pallet
	75710010	Fold Fix moulded components 90° 200+200	400 x 2000 x 12.5 mm	300 m ² /pallet 150 pcs./pallet
	75720010	Fold Fix moulded components 90° 300+300	600 x 2000 x 12.5 mm	200 m ² /pallet 100 pcs./pallet
	75730010	Fold Fix moulded components 90° 200+400	600 x 2000 x 12.5 mm	200 m ² /pallet 100 pcs./pallet



1. Delivered flat



2. Remove cover paper



3. Press limbs firmly together



4. Done!

Key advantages:

- Glueless joining of moulded components on site, no priming, no drying times
- Easy on-site handling of moulded components
- High adhesive strength immediately
- Angle adjustment of ± 2° after adhesion
- Delivered flat - less handling damage

Note:

Fold Fix moulded components must be installed without any stresses acting upon them. The free limb must be fixated.

		GK panel strips Glued plasterboards as moving ceiling connection Long edge: SK Short edge: SK	Type of panel Type "A" (EN 520) Custom dimensions available on request	
	76000070	Panel strips (double)	50 x 2500 x 25.0 mm	1,260 m ² /pallet 504 pcs./pallet
	76010070	Panel strips (double)	75 x 2500 x 25.0 mm	880 m ² /pallet 352 pcs./pallet
	76020070	Panel strips (double)	100 x 2500 x 25.0 mm	690 m ² /pallet 276 pcs./pallet
	76100070	Panel strips (triple)	50 x 2500 x 37.5 mm	840 m ² /pallet 336 pcs./pallet
	76110070	Panel strips (triple)	75 x 2500 x 37.5 mm	560 m ² /pallet 224 pcs./pallet
	76120070	Panel strips (triple)	100 x 2500 x 37.5 mm	450 m ² /pallet 180 pcs./pallet
	76200070	Panel strips (quadruple)	50 x 2500 x 50.0 mm	600 m ² /pallet 240 pcs./pallet
	76210070	Panel strips (quadruple)	75 x 2500 x 50.0 mm	440 m ² /pallet 176 pcs./pallet
	76220070	Panel strips (quadruple)	100 x 2500 x 50.0 mm	330 m ² /pallet 132 pcs./pallet



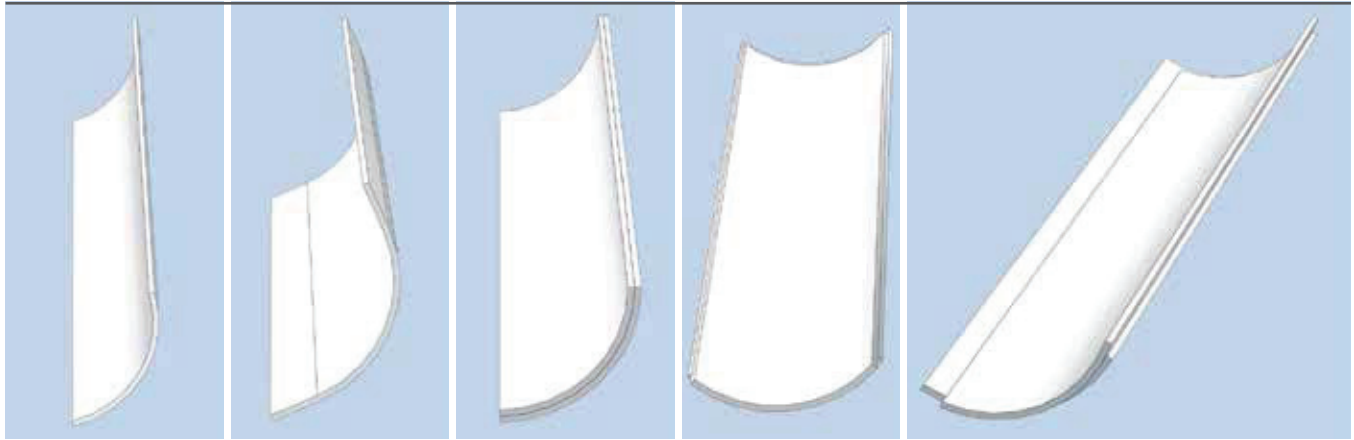


Moulded Components

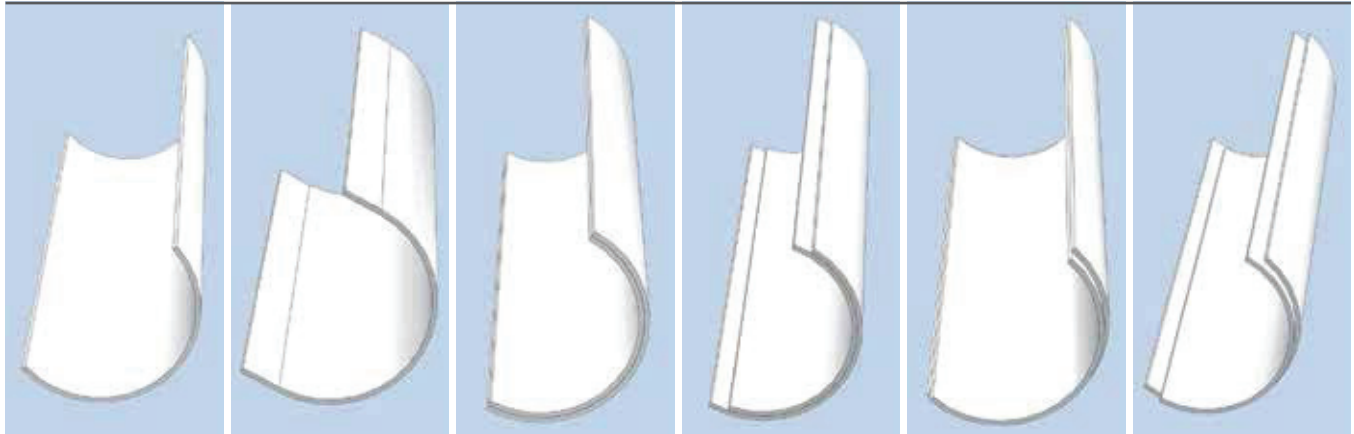
Illustration	Item number	Description	Dimensions width length thickness	m/pallet pcs./pallet
		Microslits (longitudinal slits) of type "A" plasterboards (EN 520) 12.5 mm for on-site adaptation to round components with tight radii		ME = 1 m
	74807020	Microslits (longitudinal slits)	1250 x 2000 x 12.5 mm	Packed in bulk according to required quantity
	74817020	Microslits (longitudinal slits) Plaster strip: 5.0 mm Groove: 1.7 mm For radii \geq 80.0 mm	600 x 2000 x 12.5 mm	

Other thicknesses, lengths and qualities on request. Longitudinal, unslit edge to the left and/or right possible on request. Custom elements possible.

Quarter shells



Half shells

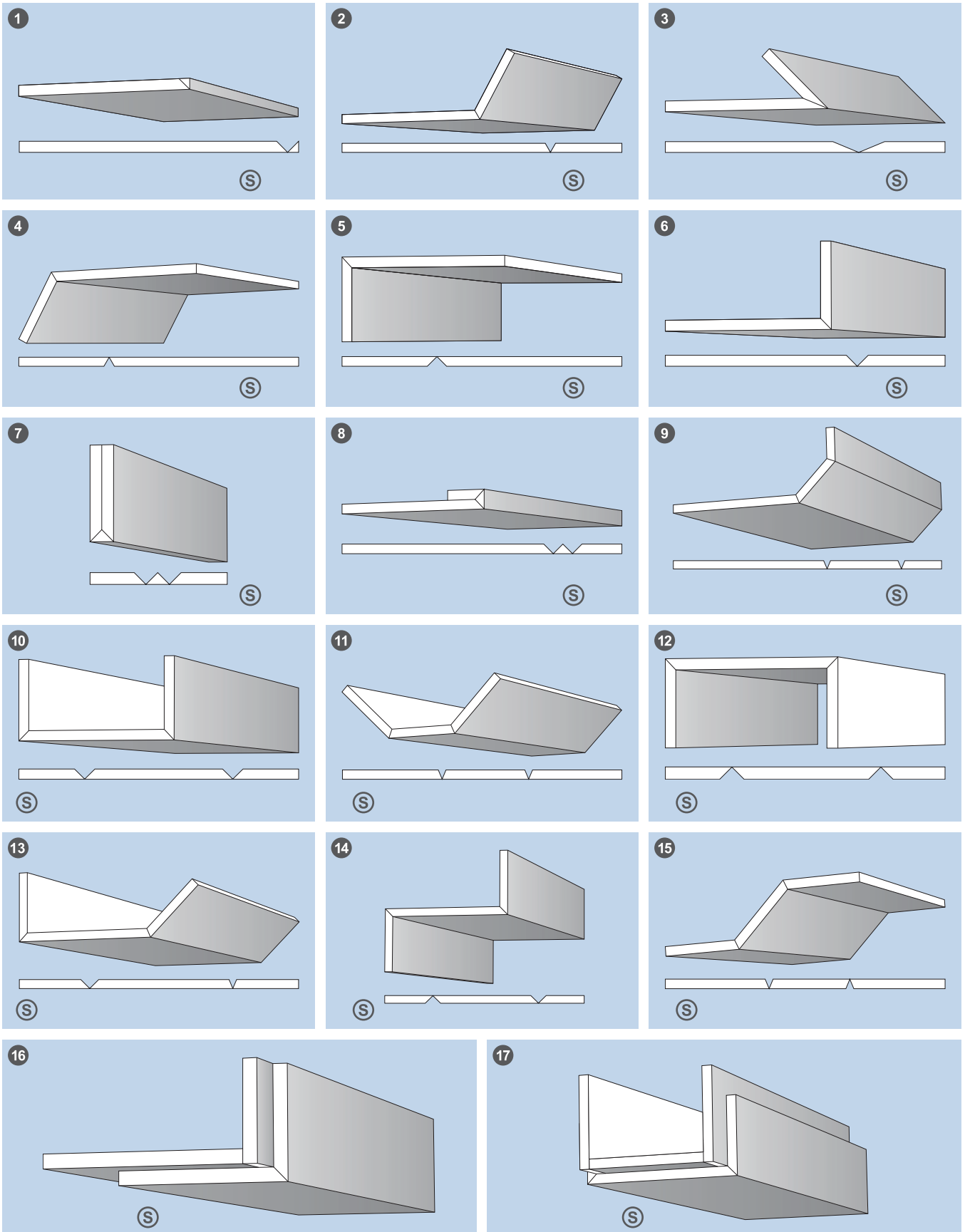




Moulded Components

V-grooves

Ⓢ = visible side

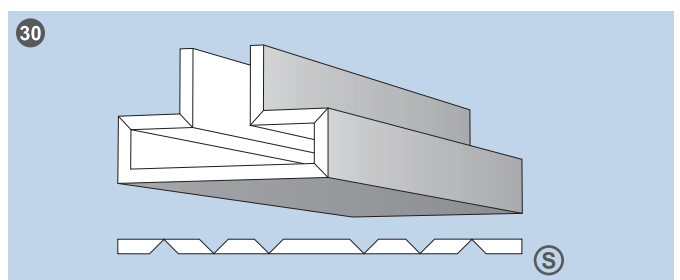
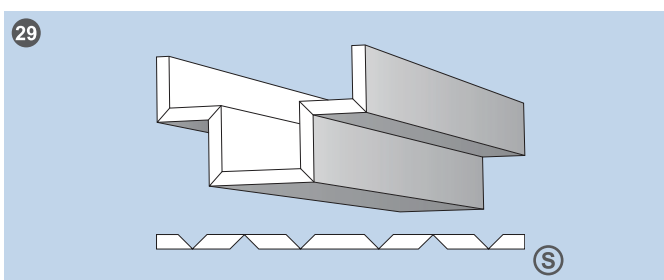
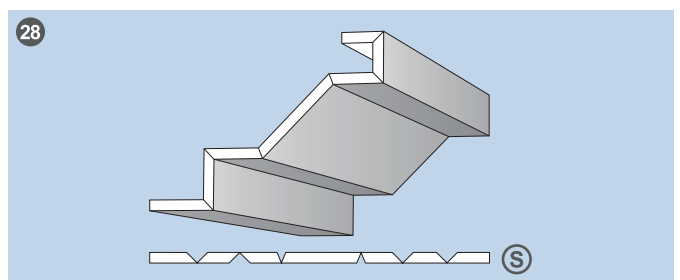
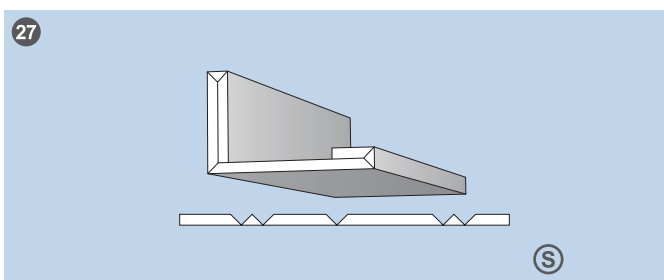
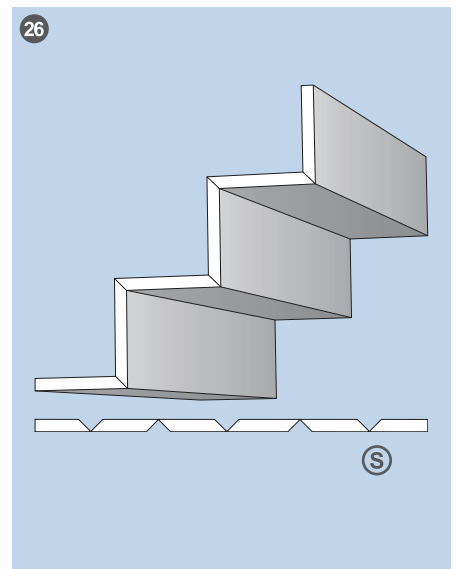
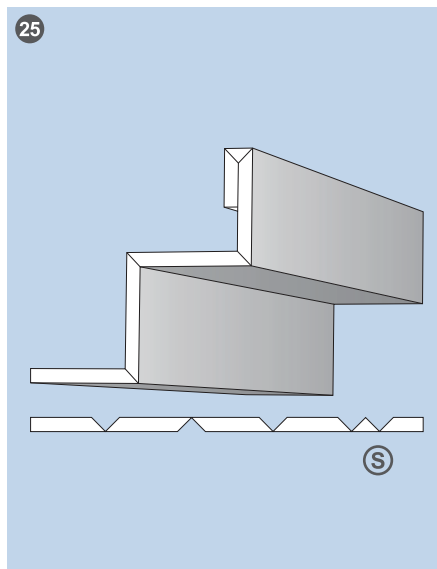
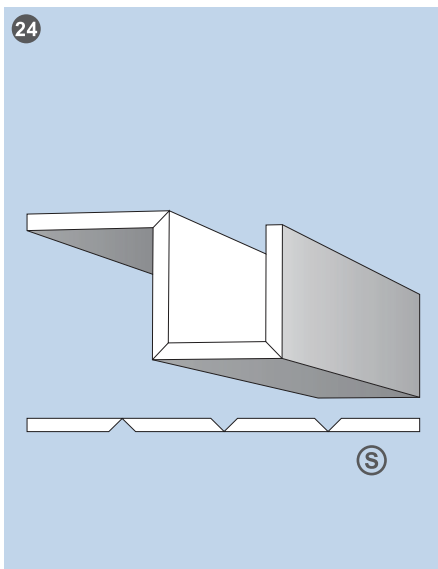
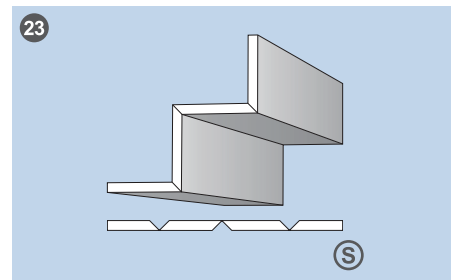
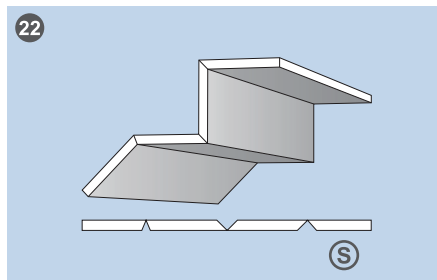
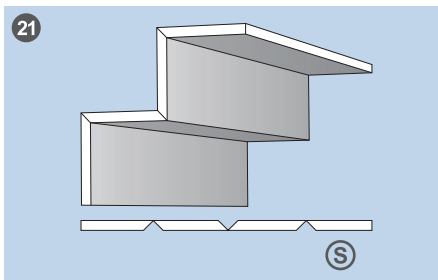
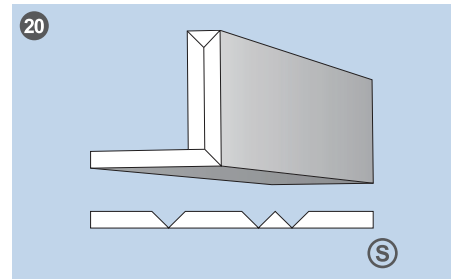
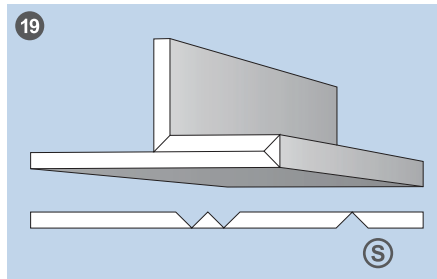
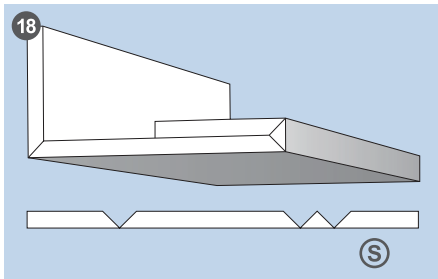




Moulded Components

V-grooves

Ⓢ=visible side

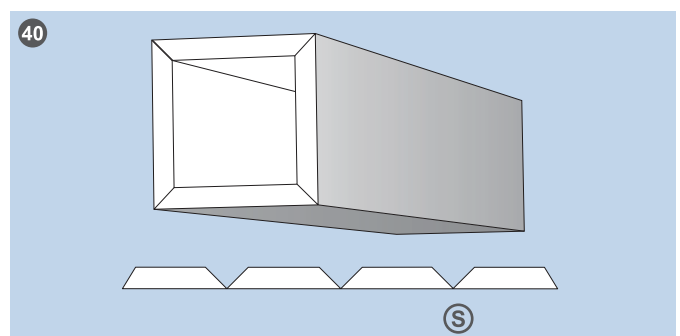
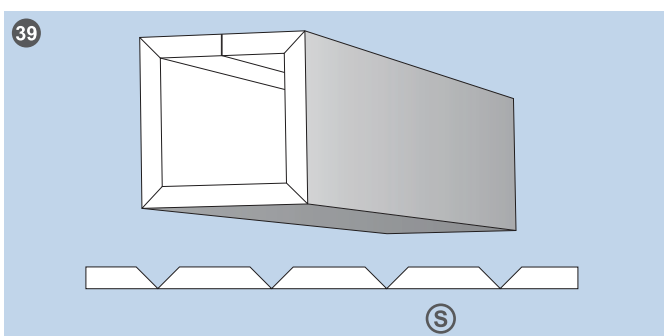
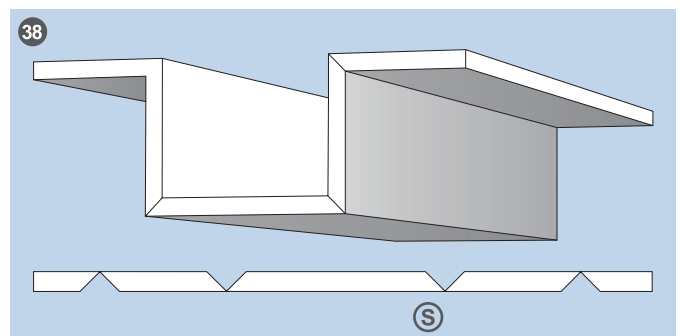
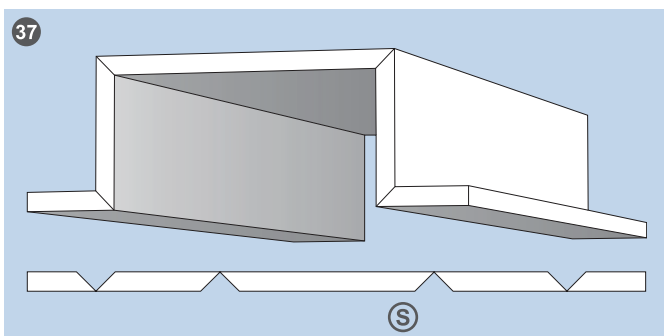
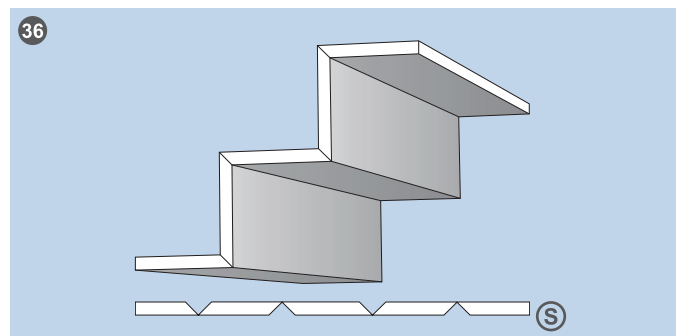
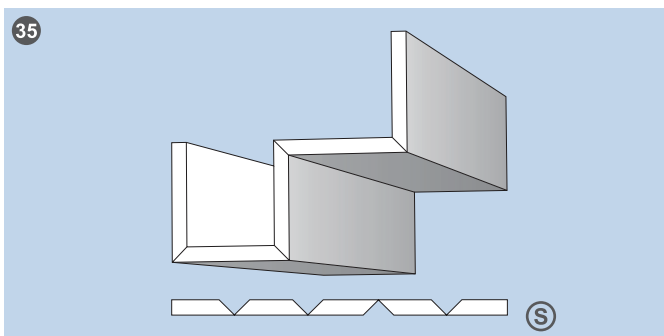
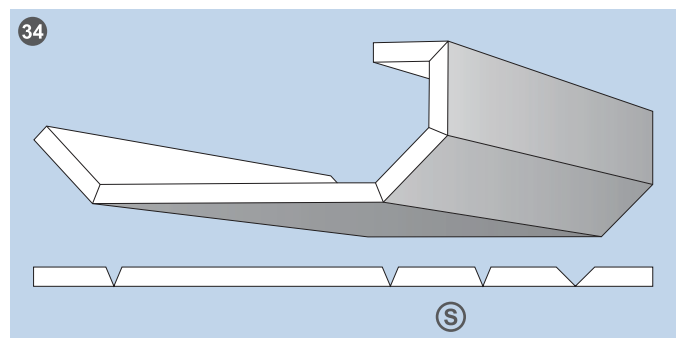
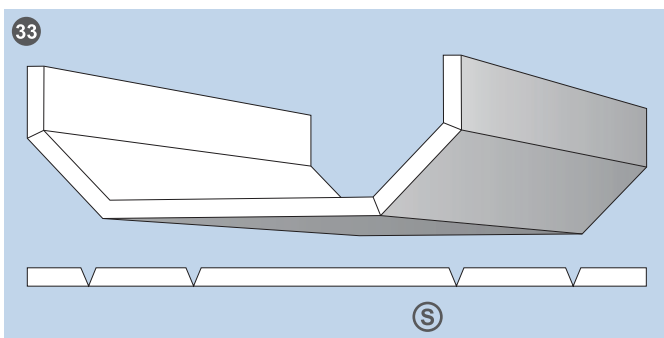
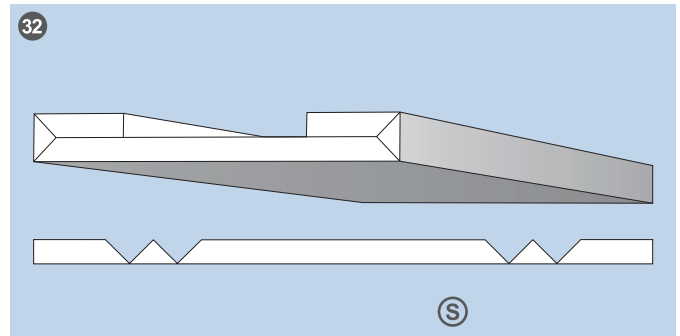
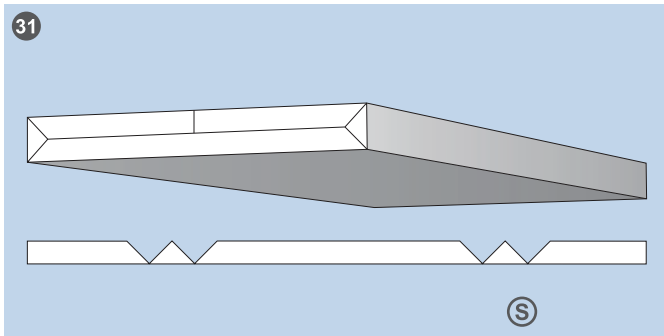




Moulded Components

V-grooves

Ⓢ = visible side





Moulded Components

Special elements

