

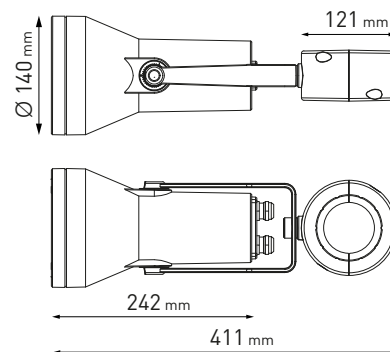


805001 SINGLE HYDROFLASH POLE MEDIUM LED

Round pole-mounted floodlight for outdoor installation on a pole diam. 60 mm or 76 mm. Phospho-chromatised and polyester powder coated die-cast copper-free aluminium body, tempered safety glass, moulded silicone gasket and stainless steel screws. Clamp for pole diam 60 mm or 76 mm included. Built-in LED driver 220-240V 50-60Hz, with 5 CREE XP-G3 high-power LED. IP65 rating.

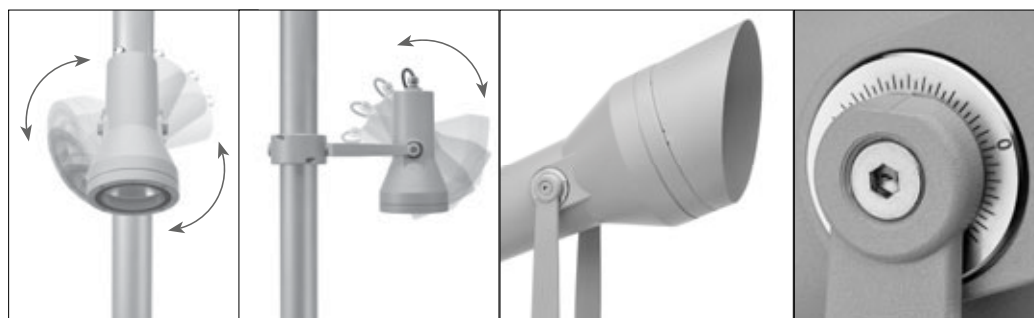


1...10 V **DALI**
1-10 V DIMMABLE / DALI VERSION
AVAILABLE ON REQUEST



Energy Label **A++**

- Material: high corrosion resistance die-cast copper-free aluminum body
- Coating: polyester powder coating with phosphochromating pre-finish
- NR. 5 CREE "XP-G3" LED
- Electronic transformer 220/240V 50/60Hz included
- Stainless steel screws
- Silicone rubber gasket
- Tempered safety glass.
- Double nickel-plated brass cable gland PG11
- 3 mt. neoprene power cable included



AC-026 - ANTI-GLARE VISOR FOR HYDROFLASH MEDIUM

GRADUATED STAINLESS STEEL INSERT

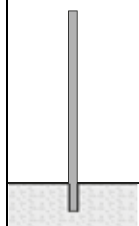
8 WATT
220-240V 50-60HZ ELECTRONIC
IP65
3,00 KG UNIT GROSS WEIGHT

LIGHT SOURCE	LED COLOR*	LIGHT BEAM OPTIONS	LUMEN OUTPUT (lm)	LUMINOUS EFFICACY (lm/w)	COLORS OPTIONS
HIGH-POWER LED	3.000°K WARM-WHITE	10°	720	90.00	<input type="checkbox"/> TEXTURED GREY <input type="checkbox"/> MATT WHITE (ON REQUEST) <input type="checkbox"/> MATT BLACK (ON REQUEST)
		30°	684	85.50	
		45°	650	81.25	
	4.000°K NEUTRAL-WHITE	10°	750	93.75	
		30°	713	89.13	
		45°	677	84.63	

POLES & ACCESSORIES

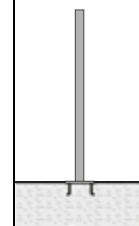
Full technical details of poles and accessories for poles are available at the end of the catalogue

BURIED POLES



CODE	HEIGHT MM.
809901	3.500
809902	4.500
809903	5.500
809908	ACC.

POLES WITH BASE-PLATE



CODE	HEIGHT MM.
809904	3.000
809905	4.000
809906	5.000
809907	ACC.
809908	ACC.





805002 SINGLE HYDROFLASH POLE MEDIUM COB LED

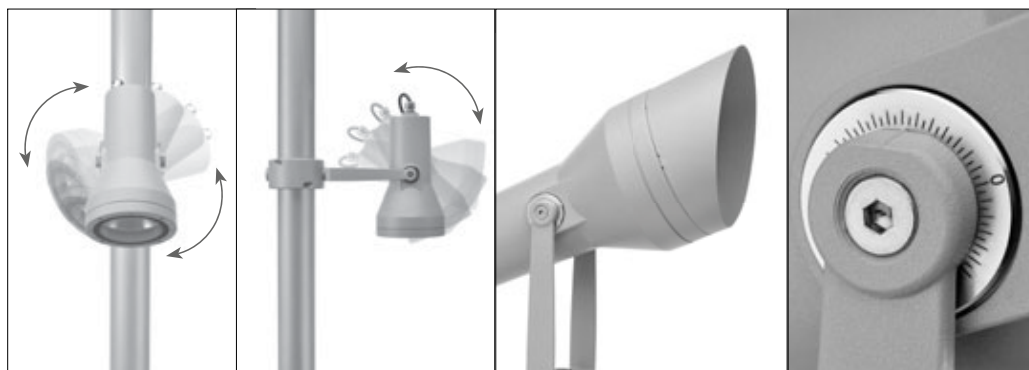
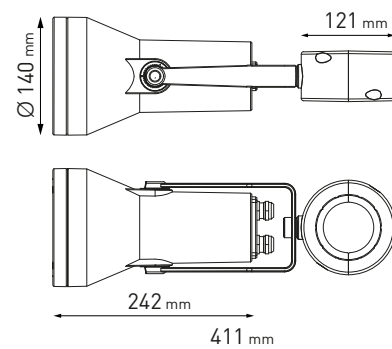
Round pole-mounted floodlight for outdoor installation on a pole diam. 60 mm or 76 mm. Phospho-chromatised and polyester powder coated die-cast copper-free aluminium body, tempered safety glass, moulded silicone gasket and stainless steel screws. Clamp for pole diam 60 mm or 76 mm included. Built-in LED driver 220-240V 50-60Hz, with 1 CREE CXA 1512 COB LED. IP65 rating.

Energy Label **A++**

- Material: high corrosion resistance die-cast copper-free aluminum body
- Coating: polyester powder coating with phosphochromating pre-finish
- NR. 1 CREE CXA 1512 LED
- Electronic transformer 220/240V 50/60Hz included
- Stainless steel screws
- Silicone rubber gasket
- Tempered safety glass.
- Double nickel-plated brass cable gland PG11
- 3 mt. neoprene power cable included



1-10 V DIMMABLE / DALI VERSION
AVAILABLE ON REQUEST



AC-026 - ANTI-GLARE VISOR FOR HYDROFLASH MEDIUM

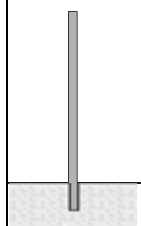
GRADUATED STAINLESS STEEL INSERT

	LIGHT SOURCE	LED COLOR*	LIGHT BEAM OPTIONS	LUMEN OUTPUT (lm)	LUMINOUS EFFICACY (lm/w)	COLORS OPTIONS
18 WATT 220-240V 50-60HZ ELECTRONIC IP65 3,00 KG UNIT GROSS WEIGHT	COB LED	3.000°K WARM-WHITE	35°	1.530	85.00	<input type="checkbox"/> TEXTURED GREY <input type="checkbox"/> MATT WHITE (ON REQUEST) <input type="checkbox"/> MATT BLACK (ON REQUEST)

POLES & ACCESSORIES

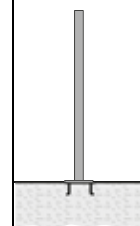
Full technical details of poles and accessories for poles are available at the end of the catalogue

BURIED POLES



CODE	HEIGHT MM.
809901	3.500
809902	4.500
809903	5.500
809908	ACC.

POLES WITH BASE-PLATE



CODE	HEIGHT MM.
809904	3.000
809905	4.000
809906	5.000
809907	ACC.
809908	ACC.





805003 SINGLE HYDROFLASH POLE MAXI LED

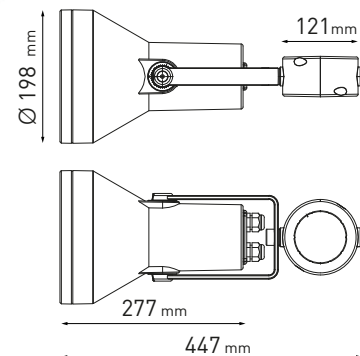
Round pole-mounted floodlight for outdoor installation on a pole diam. 60 mm or 76 mm. Phospho-chromatised and polyester powder coated die-cast copper-free aluminium body, tempered safety glass, moulded silicone gasket and stainless steel screws. Clamp for pole diam 60 mm or 76 mm included. Built-in LED driver 220-240V 50-60Hz, with 8 CREE XP-G3 high-power LED. IP65 rating.

Energy Label **A++**

- Material: high corrosion resistance die-cast copper-free aluminum body
- Coating: polyester powder coating with phosphochromating pre-finish
- NR. 8 CREE "XP-G3" LED
- Electronic transformer 220/240V 50/60Hz included
- Stainless steel screws
- Silicone rubber gasket
- Tempered safety glass.
- Double nickel-plated brass cable gland PG11
- 3 mt. neoprene power cable included



1...10 V **DALI**
1-10 V DIMMABLE / DALI VERSION
AVAILABLE ON REQUEST



AC-027 - ANTI-GLARE VISOR FOR HYDROFLASH MEDIUM

GRADUATED STAINLESS STEEL INSERT

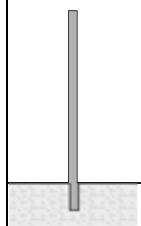
12 WATT
220-240V 50-60HZ ELECTRONIC
IP65
4,00 KG UNIT GROSS WEIGHT

LIGHT SOURCE	LED COLOR*	LIGHT BEAM OPTIONS	LUMEN OUTPUT (lm)	LUMINOUS EFFICACY (lm/w)	COLORS OPTIONS
HIGH-POWER LED	3.000°K WARM-WHITE	M 10°	1.152	96.00	<input type="checkbox"/> TEXTURED GREY <input type="checkbox"/> MATT WHITE (ON REQUEST) <input checked="" type="checkbox"/> MATT BLACK (ON REQUEST)
		M 30°	1.095	91.25	
		M 45°	1.040	86.67	
	4.000°K NEUTRAL-WHITE	M 10°	1.200	100.00	
		M 30°	1.140	95.00	
		M 45°	1.083	90.25	

POLES & ACCESSORIES

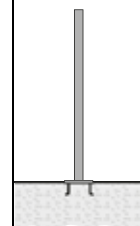
Full technical details of poles and accessories for poles are available at the end of the catalogue

BURIED POLES



CODE	HEIGHT MM.
809901	3.500
809902	4.500
809903	5.500
809908	ACC.

POLES WITH BASE-PLATE



CODE	HEIGHT MM.
809904	3.000
809905	4.000
809906	5.000
809907	ACC.
809908	ACC.





805004 SINGLE HYDROFLASH POLE MAXI COB LED

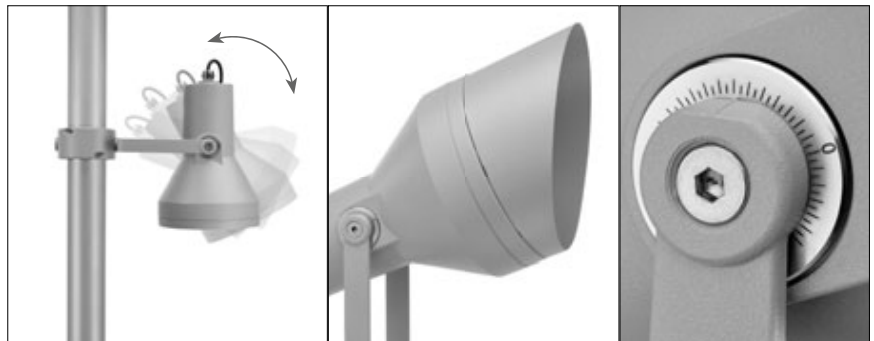
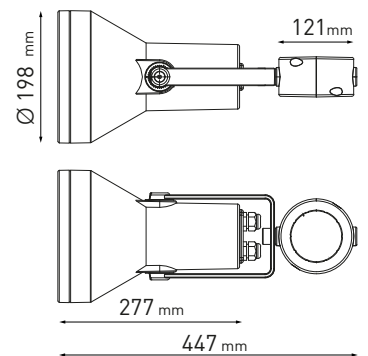
Round pole-mounted floodlight for outdoor installation on a pole diam. 60 mm or 76 mm. Phospho-chromatised and polyester powder coated die-cast copper-free aluminium body, tempered safety glass, moulded silicone gasket and stainless steel screws. Clamp for pole diam 60 mm or 76 mm included. Built-in LED driver 220-240V 50-60Hz, with 1 CREE CXB 2530 COB LED. IP65 rating.

Energy Label **A++**

- Material: high corrosion resistance die-cast copper-free aluminum body
- Coating: polyester powder coating with phosphochromating pre-finish
- NR. 1 CREE CXB 2530 LED
- Electronic transformer 220/240V 50/60Hz included
- Stainless steel screws
- Silicone rubber gasket
- Tempered safety glass.
- Double nickel-plated brass cable gland PG11
- 3 mt. neoprene power cable included



1...10 V **DALI**
1-10 V DIMMABLE / DALI VERSION
AVAILABLE ON REQUEST



AC-027 - ANTI-GLARE VISOR FOR HYDROFLASH MEDIUM

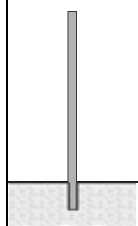
GRADUATED STAINLESS STEEL INSERT

	LIGHT SOURCE	LED COLOR*	LIGHT BEAM OPTIONS	LUMEN OUTPUT (lm)	LUMINOUS EFFICACY (lm/w)	COLORS OPTIONS
36 WATT 220-240V 50-60HZ ELECTRONIC IP65 4,00 KG UNIT GROSS WEIGHT	COB LED	3.000°K WARM-WHITE	35°	3.100	86.10	<ul style="list-style-type: none"> TEXTURED GREY MATT WHITE (ON REQUEST) MATT BLACK (ON REQUEST)

POLES & ACCESSORIES

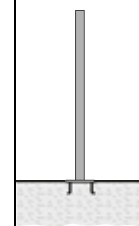
Full technical details of poles and accessories for poles are available at the end of the catalogue

BURIED POLES



CODE	HEIGHT MM.
809901	3.500
809902	4.500
809903	5.500
809908	ACC.

POLES WITH BASE-PLATE



CODE	HEIGHT MM.
809904	3.000
809905	4.000
809906	5.000
809907	ACC.
809908	ACC.





805009 SINGLE HYDROFLASH POLE MEGA LED



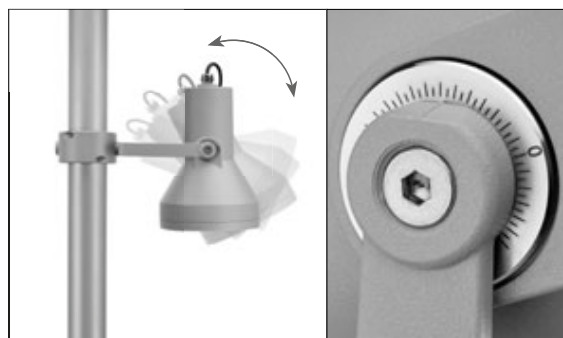
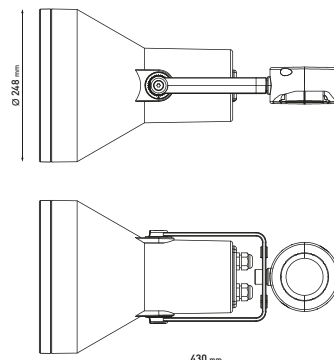
Round pole-mounted floodlight for outdoor installation on a pole diam. 60 mm or 76 mm. Phospho-chromatised and polyester powder coated die-cast copper-free aluminium body, tempered safety glass, moulded silicone gasket and stainless steel screws. Clamp for pole diam 60 mm or 76 mm included. Built-in LED driver 220-240V 50-60Hz, with 15 CREE XP-G2 high-power LED. IP65 rating.



1-10 V DIMMABLE / DALI VERSION
AVAILABLE ON REQUEST

Energy Label **A++**

- Material: high corrosion resistance die-cast copper-free aluminium body
- Coating: polyester powder coating with phosphochromating pre-finish
- NR. 15 CREE "XP-G2" LED
- Electronic transformer 220/240V 50/60Hz included
- Stainless steel screws
- Silicone rubber gasket
- Tempered safety glass.
- Double nickel-plated brass cable gland M20
- 3 mt. neoprene power cable included



GRADUATED STAINLESS STEEL INSERT

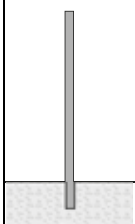
22 WATT
220-240V 50-60HZ ELECTRONIC
IP65
5,50 KG UNIT GROSS WEIGHT

LIGHT SOURCE	LED COLOR*	LIGHT BEAM OPTIONS	LUMEN OUTPUT (lm)	LUMINOUS EFFICACY (lm/w)	COLORS OPTIONS
HIGH-POWER LED	3.000°K WARM-WHITE	M 10°	2.160	98.18	<input type="checkbox"/> TEXTURED GREY <input type="checkbox"/> MATT WHITE (ON REQUEST) <input type="checkbox"/> MATT BLACK (ON REQUEST)
		M 30°	2.052	93.27	
		M 45°	1.949	88.60	
	4.000°K NEUTRAL-WHITE	M 10°	2.250	102.28	
		M 30°	2.137	97.14	
		M 45°	2.030	92.27	

POLES & ACCESSORIES

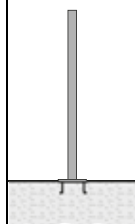
Full technical details of poles and accessories for poles are available at the end of the catalogue

BURIED POLES



CODE	HEIGHT MM.
809901	3.500
809902	4.500
809903	5.500
809909	ACC.

POLES WITH BASE-PLATE



CODE	HEIGHT MM.
809904	3.000
809905	4.000
809906	5.000
809907	ACC.
809909	ACC.





805010 SINGLE HYDROFLASH POLE MEGA COB LED NEW

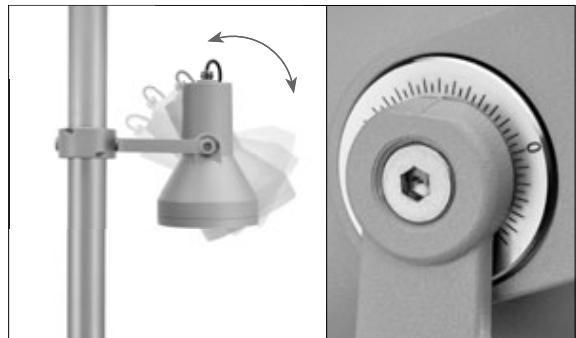
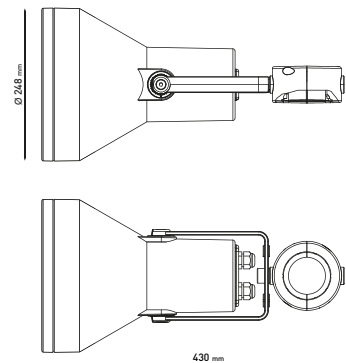
Round pole-mounted floodlight for outdoor installation on a pole diam. 60 mm or 76 mm. Phospho-chromatised and polyester powder coated die-cast copper-free aluminium body, tempered safety glass, moulded silicone gasket and stainless steel screws. Clamp for pole diam 60 mm or 76 mm included. Built-in LED driver 220-240V 50-60Hz, with 1 CREE CXB 3070 COB LED. IP65 rating.

Energy Label A++

- Material: high corrosion resistance die-cast copper-free aluminum body
- Coating: polyester powder coating with phosphochromating pre-finish
- NR. 1 CREE "CXB 3070" COB LED
- Electronic transformer 220/240V 50/60Hz included
- Stainless steel screws
- Silicone rubber gasket
- Tempered safety glass.
- Double nickel-plated brass cable gland M20
- 3 mt. neoprene power cable included



1-10 V DIMMABLE / DALI VERSION AVAILABLE ON REQUEST



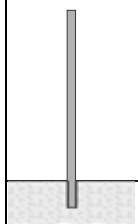
GRADUATED STAINLESS STEEL INSERT

	LIGHT SOURCE	LED COLOR*	LIGHT BEAM OPTIONS	LUMEN OUTPUT (lm)	LUMINOUS EFFICACY (lm/w)	COLORS OPTIONS
55 WATT 220-240V 50-60HZ ELECTRONIC IP65 5,50 KG UNIT GROSS WEIGHT	COB LED	3.000°K WARM-WHITE	35°	4.730	86.00	<input type="checkbox"/> TEXTURED GREY <input type="checkbox"/> MATT WHITE (ON REQUEST) <input type="checkbox"/> MATT BLACK (ON REQUEST)

POLES & ACCESSORIES

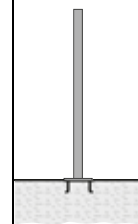
Full technical details of poles and accessories for poles are available at the end of the catalogue

BURIED POLES



CODE	HEIGHT MM.
809901	3.500
809902	4.500
809903	5.500
809909	ACC.

POLES WITH BASE-PLATE



CODE	HEIGHT MM.
809904	3.000
809905	4.000
809906	5.000
809907	ACC.
809909	ACC.





805005 DOUBLE HYDROFLASH POLE MEDIUM LED

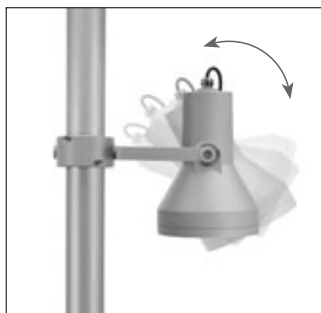
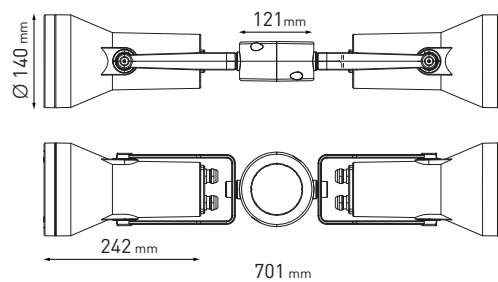
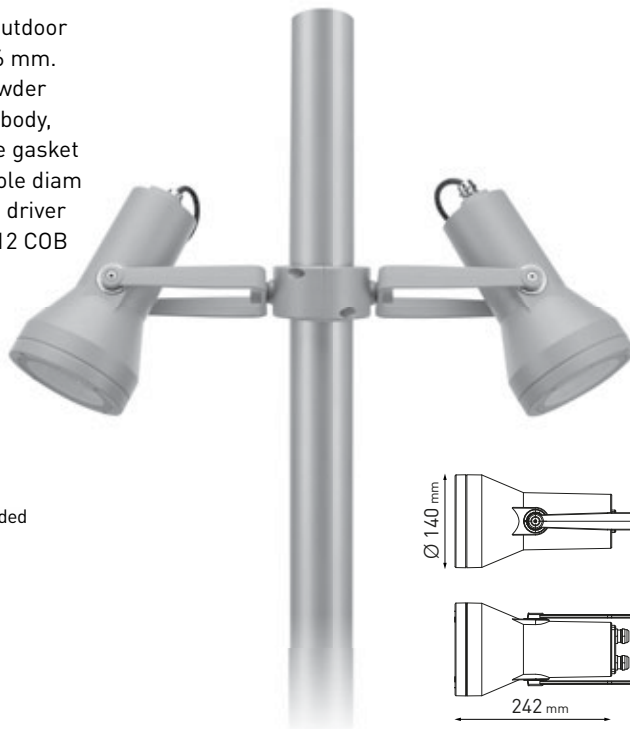
2 x Round pole-mounted floodlight for outdoor installation on a pole diam. 60 mm or 76 mm. Phospho-chromatised and polyester powder coated die-cast copper-free aluminium body, tempered safety glass, moulded silicone gasket and stainless steel screws. Clamp for pole diam 60 mm or 76 mm included. Built-in LED driver 220-240V 50-60Hz, with 1 CREE CXA 1512 COB LED. IP65 rating.



1...10 V **DALI**
1-10 V DIMMABLE / DALI VERSION
AVAILABLE ON REQUEST

Energy Label **A++**

- Material: high corrosion resistance die-cast copper-free aluminum body
- Coating: polyester powder coating with phosphochromating pre-finish
- NR. 2 x 5 CREE "XP-G2" LED
- Electronic transformer 220/240V 50/60Hz included
- Stainless steel screws
- Silicone rubber gasket
- Tempered safety glass.
- Double nickel-plated brass cable gland PG11
- 3 mt. neoprene power cable included



AC-026 - ANTI-GLARE VISOR FOR HYDROFLASH MEDIUM

GRADUATED STAINLESS STEEL INSERT

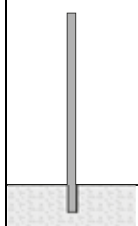
2 X 8 WATT
220-240V 50-60HZ ELECTRONIC
IP65
5,60 KG UNIT GROSS WEIGHT

LIGHT SOURCE	LED COLOR*	LIGHT BEAM OPTIONS	LUMEN OUTPUT (lm)	LUMINOUS EFFICACY (lm/w)	COLORS OPTIONS
HIGH-POWER LED	3.000°K WARM-WHITE	M 10°	2 X 720	90.00	<input type="checkbox"/> TEXTURED GREY <input type="checkbox"/> MATT WHITE (ON REQUEST) <input checked="" type="checkbox"/> MATT BLACK (ON REQUEST)
		M 30°	2 X 684	85.50	
		M 45°	2 X 650	81.25	
	4.000°K NEUTRAL-WHITE	M 10°	2 X 750	93.75	
		M 30°	2 X 713	89.13	
		M 45°	2 X 677	84.63	

POLES & ACCESSORIES

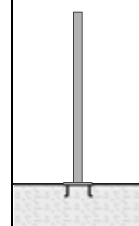
Full technical details of poles and accessories for poles are available at the end of the catalogue

BURIED POLES



CODE	HEIGHT MM.
809901	3.500
809902	4.500
809903	5.500
809908	ACC.

POLES WITH BASE-PLATE



CODE	HEIGHT MM.
809904	3.000
809905	4.000
809906	5.000
809907	ACC.
809908	ACC.



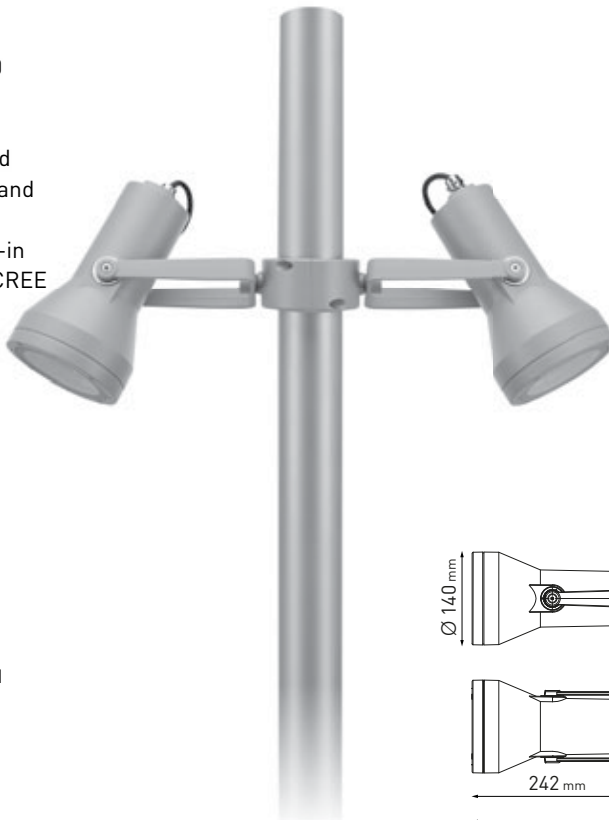


805006 DOUBLE HYDROFLASH POLE MEDIUM COB LED

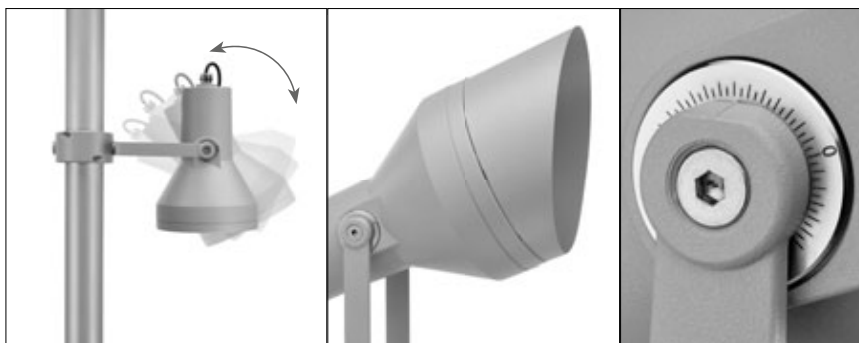
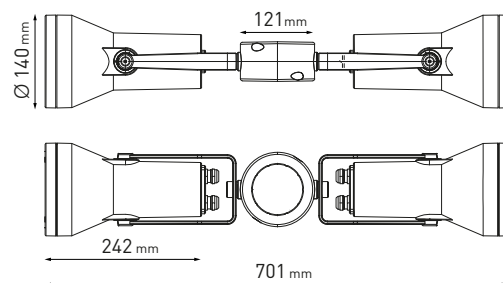
2 x Round pole-mounted floodlight for outdoor installation on a pole diam. 60 mm or 76 mm. Phospho-chromatised and polyester powder coated die-cast copper-free aluminium body, tempered safety glass, moulded silicone gasket and stainless steel screws. Clamp for pole diam 60 mm or 76 mm included. Built-in LED driver 220-240V 50-60Hz, with 1 CREE CXA 1512 COB LED. IP65 rating.

Energy Label **A++**

- Material: high corrosion resistance die-cast copper-free aluminum body
- Coating: polyester powder coating with phosphochromating pre-finish
- NR. 2 x 1 CREE CXA 1512 LED
- Electronic transformer 220/240V 50/60Hz included
- Stainless steel screws
- Silicone rubber gasket
- Tempered safety glass.
- Double nickel-plated brass cable gland PG11
- 3 mt. neoprene power cable included



1...10 V **DALI**
1-10 V DIMMABLE / DALI VERSION
AVAILABLE ON REQUEST



AC-026 - ANTI-GLARE VISOR FOR HYDROFLASH MEDIUM

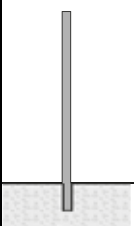
GRADUATED STAINLESS STEEL INSERT

	LIGHT SOURCE	LED COLOR*	LIGHT BEAM OPTIONS	LUMEN OUTPUT (lm)	LUMINOUS EFFICACY (lm/w)	COLORS OPTIONS
2 X 18 WATT 220-240V 50-60HZ ELECTRONIC IP65 5,60 KG UNIT GROSS WEIGHT	COB LED	3.000°K WARM-WHITE	35°	2 X 1.530	85.00	<ul style="list-style-type: none"> TEXTURED GREY MATT WHITE (ON REQUEST) MATT BLACK (ON REQUEST)

POLES & ACCESSORIES

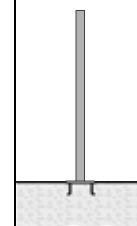
Full technical details of poles and accessories for poles are available at the end of the catalogue

BURIED POLES



CODE	HEIGHT MM.
809901	3.500
809902	4.500
809903	5.500
809908	ACC.

POLES WITH BASE-PLATE



CODE	HEIGHT MM.
809904	3.000
809905	4.000
809906	5.000
809907	ACC.
809908	ACC.



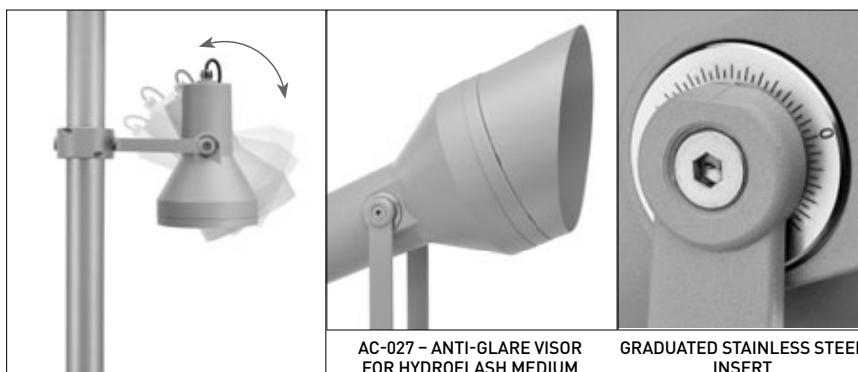
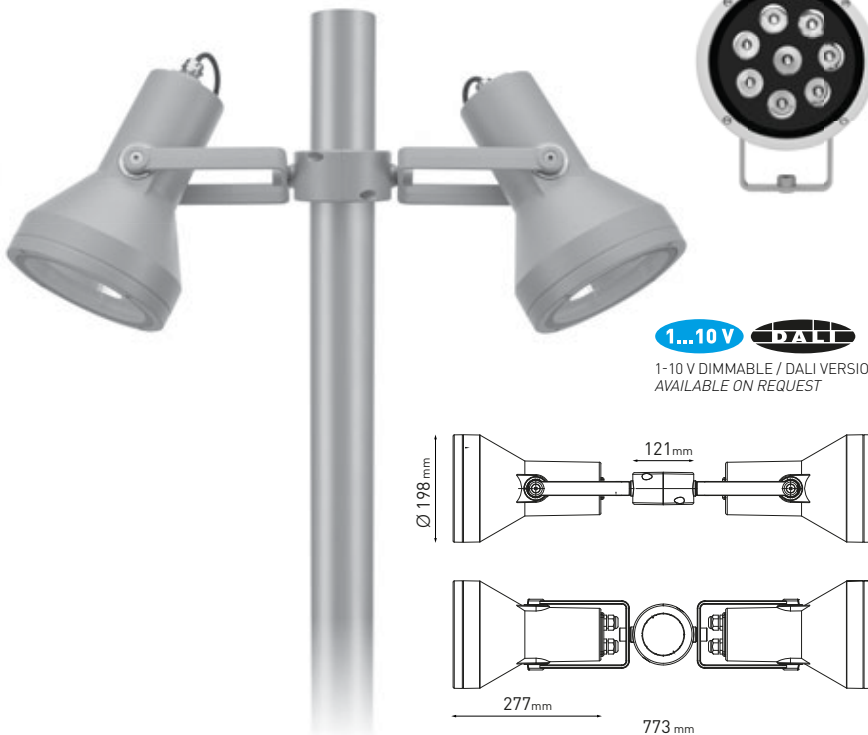


805007 DOUBLE HYDROFLASH POLE MAXI LED

2 x Round pole-mounted floodlight for outdoor installation on a pole diam. 60 mm or 76 mm. Phospho-chromatised and polyester powder coated die-cast copper-free aluminium body, tempered safety glass, moulded silicone gasket and stainless steel screws. Clamp for pole diam 60 mm or 76 mm included. Built-in LED driver 220-240V 50-60Hz, with 8 CREE XP-G3 high-power LED. IP65 rating.

Energy Label **A++**

- Material: high corrosion resistance die-cast copper-free aluminum body
- Coating: polyester powder coating with phosphochromating pre-finish
- NR. 2 x 8 CREE "XP-G3" LED
- Electronic transformer 220/240V 50/60Hz included
- Stainless steel screws
- Silicone rubber gasket
- Tempered safety glass.
- Double nickel-plated brass cable gland PG11
- 3 mt. neoprene power cable included



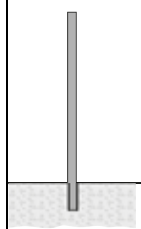
2 X 12 WATT
220-240V 50-60HZ ELECTRONIC
IP65
7,50 KG UNIT GROSS WEIGHT

LIGHT SOURCE	LED COLOR*	LIGHT BEAM OPTIONS	LUMEN OUTPUT (lm)	LUMINOUS EFFICACY (lm/w)	COLORS OPTIONS
HIGH-POWER LED	3.000°K WARM-WHITE	M 10°	2 X 1.152	96.00	<input checked="" type="checkbox"/> TEXTURED GREY <input type="checkbox"/> MATT WHITE (ON REQUEST) <input type="checkbox"/> MATT BLACK (ON REQUEST)
		M 30°	2 X 1.095	91.25	
		M 45°	2 X 1.040	86.67	
	4.000°K NEUTRAL-WHITE	M 10°	2 X 1.200	100.00	
		M 30°	2 X 1.140	95.00	
		M 45°	2 X 1.083	90.25	

POLES & ACCESSORIES

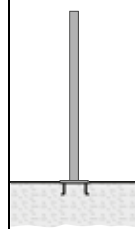
Full technical details of poles and accessories for poles are available at the end of the catalogue

BURIED POLES



CODE	HEIGHT MM.
809901	3.500
809902	4.500
809903	5.500
809908	ACC.

POLES WITH BASE-PLATE



CODE	HEIGHT MM.
809904	3.000
809905	4.000
809906	5.000
809907	ACC.
809908	ACC.



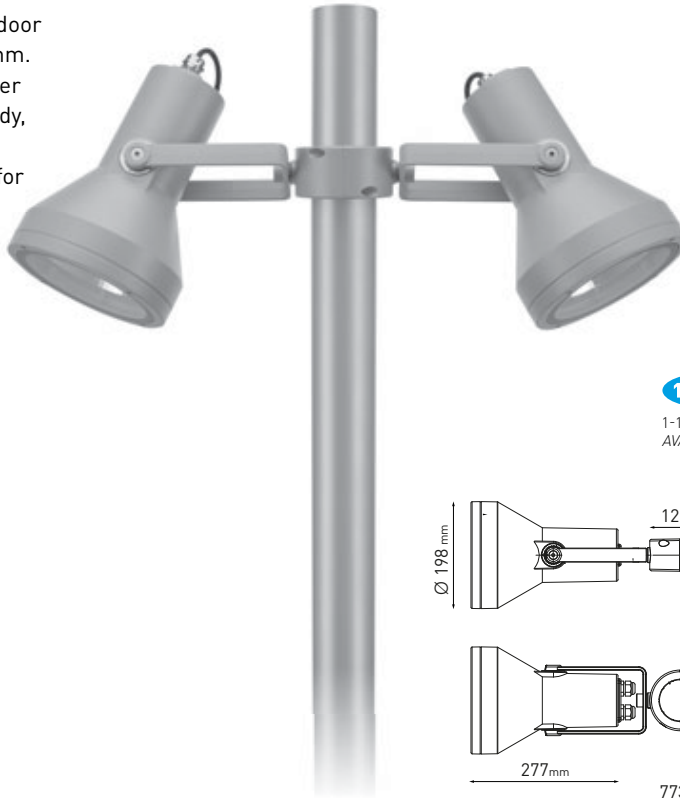


805008 DOUBLE HYDROFLASH POLE MAXI COB LED

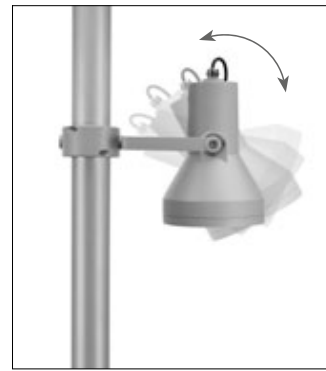
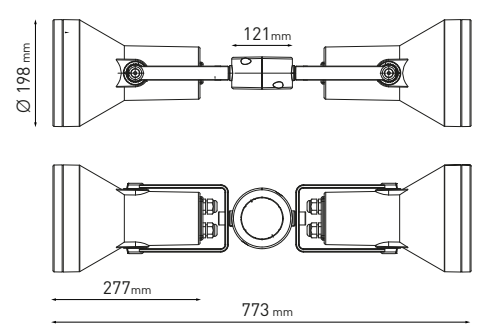
2 x Round pole-mounted floodlight for outdoor installation on a pole diam. 60 mm or 76 mm. Phospho-chromatised and polyester powder coated die-cast copper-free aluminium body, tempered safety glass, moulded silicone gasket and stainless steel screws. Clamp for pole diam 60 mm or 76 mm included. Built-in LED driver 220-240V 50-60Hz, with 1 CREE CXB 2530 COB LED. IP65 rating.

Energy Label **A++**

- Material: high corrosion resistance die-cast copper-free aluminium body
- Coating: polyester powder coating with phosphochromating pre-finish
- NR. 2 x 1 CREE CXb 2530 LED
- Electronic transformer 220/240V 50/60Hz included
- Stainless steel screws
- Silicone rubber gasket
- Tempered safety glass.
- Double nickel-plated brass cable gland PG11
- 3 mt. neoprene power cable included



1...10V **DALI**
1-10V DIMMABLE / DALI VERSION
AVAILABLE ON REQUEST



AC-027 - ANTI-GLARE VISOR FOR HYDROFLASH MEDIUM

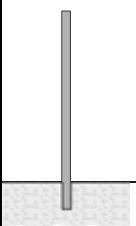
GRADUATED STAINLESS STEEL INSERT

	LIGHT SOURCE	LED COLOR*	LIGHT BEAM OPTIONS	LUMEN OUTPUT (lm)	LUMINOUS EFFICACY (lm/w)	COLORS OPTIONS
2 X 36 WATT 220-240V 50-60HZ ELECTRONIC IP65 7,50 KG UNIT GROSS WEIGHT	COB LED	3.000°K WARM-WHITE	35°	2 X 3.100	86.10	<input type="checkbox"/> TEXTURED GREY <input type="checkbox"/> MATT WHITE (ON REQUEST) <input type="checkbox"/> MATT BLACK (ON REQUEST)

POLES & ACCESSORIES

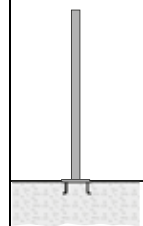
Full technical details of poles and accessories for poles are available at the end of the catalogue

BURIED POLES



CODE	HEIGHT MM.
809901	3.500
809902	4.500
809903	5.500
809908	ACC.

POLES WITH BASE-PLATE



CODE	HEIGHT MM.
809904	3.000
809905	4.000
809906	5.000
809907	ACC.
809908	ACC.





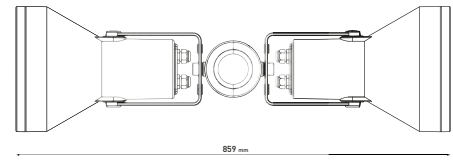
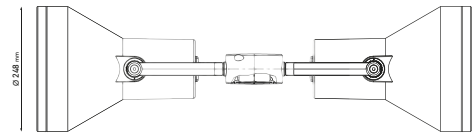
805011 DOUBLE HYDROFLASH POLE MEGA LED



2 x Round pole-mounted floodlight for outdoor installation on a pole diam. 60 mm or 76 mm. Phospho-chromatised and polyester powder coated die-cast copper-free aluminium body, tempered safety glass, moulded silicone gasket and stainless steel screws. Clamp for pole diam 60 mm or 76 mm included. Built-in LED driver 220-240V 50-60Hz, with 15 CREE XP-G2 high-power LED. IP65 rating.

Energy Label **A++**

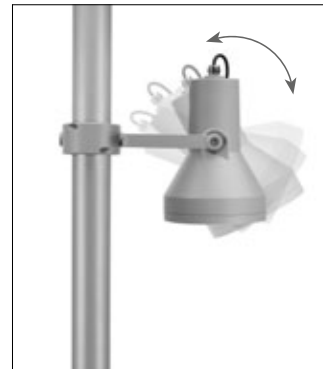
- Material: high corrosion resistance die-cast copper-free aluminum body
- Coating: polyester powder coating with phosphochromating pre-finish
- NR. 2 x 15 CREE "XP-G2" LED
- Electronic transformer 220/240V 50/60Hz included
- Stainless steel screws
- Silicone rubber gasket
- Tempered safety glass.
- Double nickel-plated brass cable gland PG11
- 3 mt. neoprene power cable included



1...10V



1-10 V DIMMABLE / DALI VERSION AVAILABLE ON REQUEST



GRADUATED STAINLESS STEEL INSERT

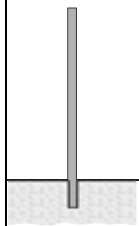
LIGHT SOURCE	LED COLOR*	LIGHT BEAM OPTIONS	LUMEN OUTPUT (lm)	LUMINOUS EFFICACY (lm/w)	COLORS OPTIONS
HIGH-POWER LED	3.000°K WARM-WHITE	M 10°	2 X 2.160	98.18	<input checked="" type="checkbox"/> TEXTURED GREY <input type="checkbox"/> MATT WHITE (ON REQUEST) <input checked="" type="checkbox"/> MATT BLACK (ON REQUEST)
		M 30°	2 X 2.052	93.27	
		M 45°	2 X 1.949	88.60	
	4.000°K NEUTRAL-WHITE	M 10°	2 X 2.250	102.28	
		M 30°	2 X 1.137	97.14	
		M 45°	2 X 2.030	92.27	

2 X 22 WATT
220-240V 50-60HZ ELECTRONIC
IP65
10,50 KG UNIT GROSS WEIGHT

POLES & ACCESSORIES

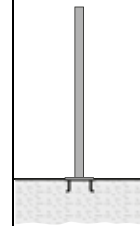
Full technical details of poles and accessories for poles are available at the end of the catalogue

BURIED POLES



CODE	HEIGHT MM.
809901	3.500
809902	4.500
809903	5.500
809909	ACC.

POLES WITH BASE-PLATE



CODE	HEIGHT MM.
809904	3.000
809905	4.000
809906	5.000
809907	ACC.
809909	ACC.





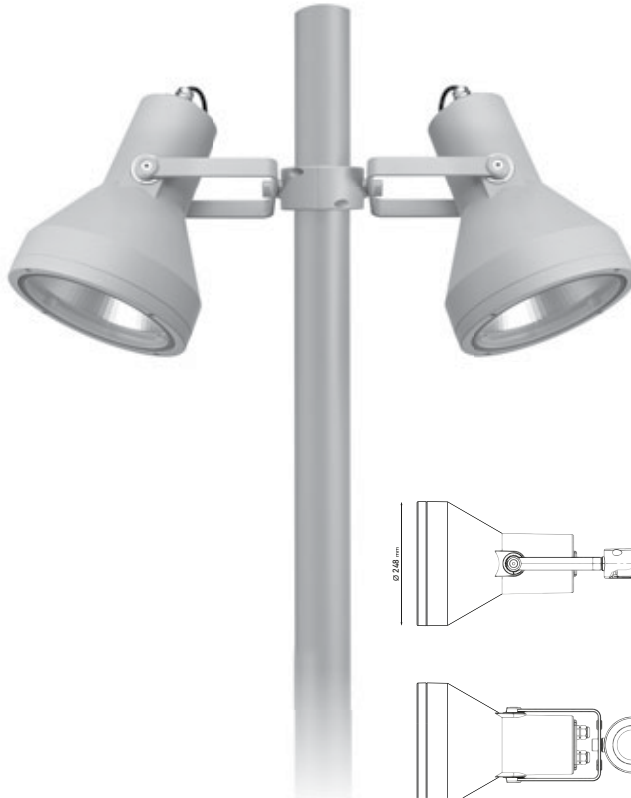
805012 DOUBLE HYDROFLASH POLE MEGA COB LED



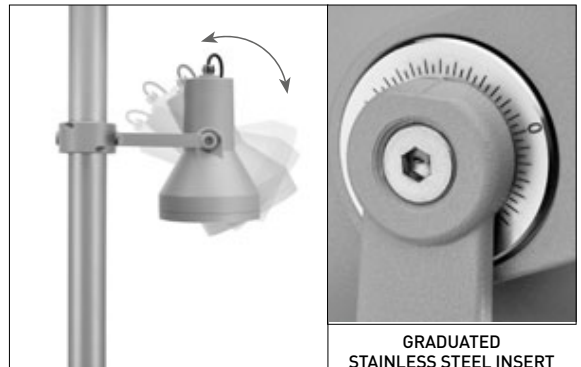
2 x Round pole-mounted floodlight for outdoor installation on a pole diam. 60 mm or 76 mm. Phospho-chromatised and polyester powder coated die-cast copper-free aluminium body, tempered safety glass, moulded silicone gasket and stainless steel screws. Clamp for pole diam 60 mm or 76 mm included. Built-in LED driver 220-240V 50-60Hz, with 1 CREE CXB 3070 COB LED. IP65 rating.

Energy Label **A++**

- Material: high corrosion resistance die-cast copper-free aluminum body
- Coating: polyester powder coating with phosphochromating pre-finish
- NR. 2 x 1 CREE "CXB 3070" COB LED
- Electronic transformer 220/240V 50/60Hz included
- Stainless steel screws
- Silicone rubber gasket
- Tempered safety glass.
- Double nickel-plated brass cable gland PG11
- 3 mt. neoprene power cable included



1-10 V DIMMABLE / DALI VERSION
AVAILABLE ON REQUEST



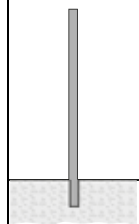
GRADUATED
STAINLESS STEEL INSERT

	LIGHT SOURCE	LED COLOR*	LIGHT BEAM OPTIONS	LUMEN OUTPUT (lm)	LUMINOUS EFFICACY (lm/w)	COLORS OPTIONS
2 X 55 WATT 220-240V 50-60HZ ELECTRONIC IP65 10,50 KG UNIT GROSS WEIGHT	COB LED	3.000°K WARM-WHITE	35°	2 X 4.730	86.00	<input type="checkbox"/> TEXTURED GREY <input type="checkbox"/> MATT WHITE (ON REQUEST) <input type="checkbox"/> MATT BLACK (ON REQUEST)

POLES & ACCESSORIES

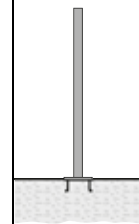
Full technical details of poles and accessories for poles are available at the end of the catalogue

BURIED POLES



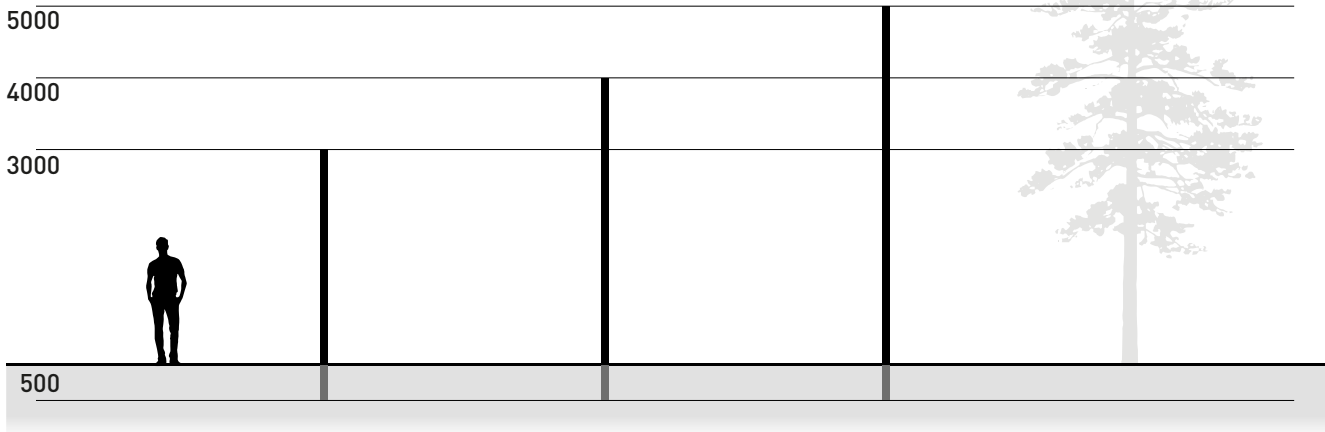
CODE	HEIGHT MM.
809901	3.500
809902	4.500
809903	5.500
809909	ACC.

POLES WITH BASE-PLATE



CODE	HEIGHT MM.
809904	3.000
809905	4.000
809906	5.000
809907	ACC.
809909	ACC.



POLES BURIED POLES

809901 CYLINDRICAL POLE 3,5 M. TO BE BURIED

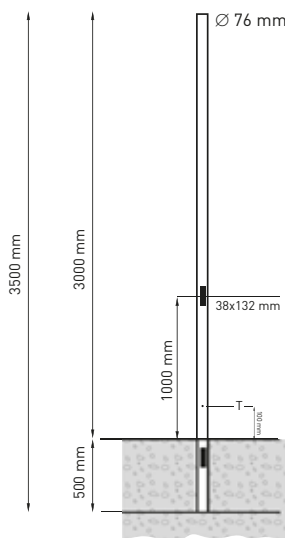
Cylindrical pole made in steel S235JR (UNI EN 10219) hot galvanized (UNI EN 1461), **diameter 76 mm, thickness 4 mm.** Phospho-chromatised and polyester powder coated.
Total height 3.500 mm, including 500 mm to be buried into the ground. Includes IP54 cover plate 132x38 mm and terminal block in double insulation.

809902 CYLINDRICAL POLE 4,5M. TO BE BURIED

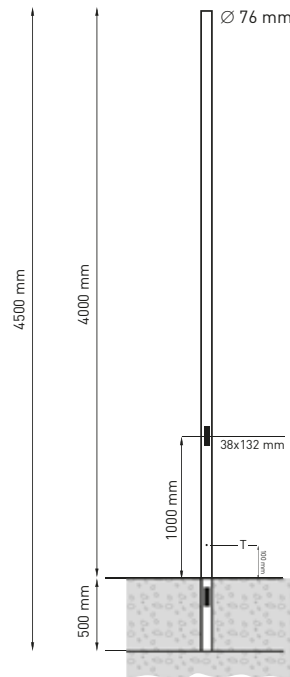
Cylindrical pole made in steel S235JR (UNI EN 10219) hot galvanized (UNI EN 1461), **diameter 76 mm, thickness 4 mm.** Phospho-chromatised and polyester powder coated.
Total height 4.500 mm, including 500 mm to be buried into the ground. Includes IP54 cover plate 132x38 mm and terminal block in double insulation.

809903 CYLINDRICAL POLE 5,5 M. TO BE BURIED

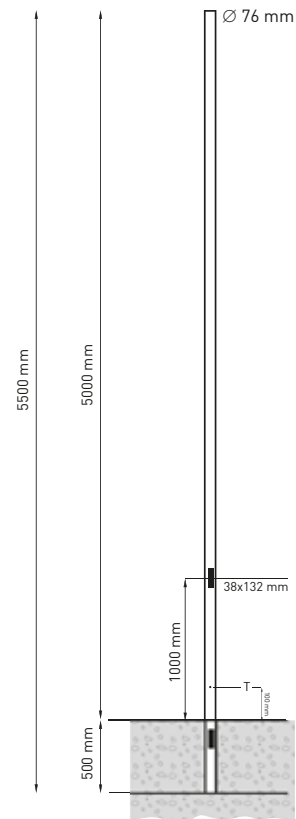
Cylindrical pole made in steel S235JR (UNI EN 10219) hot galvanized (UNI EN 1461), **diameter 76 mm, thickness 4 mm.** Phospho-chromatised and polyester powder coated.
Total height 5.500 mm, including 500 mm to be buried into the ground. Includes IP54 cover plate 132x38 mm and terminal block in double insulation.



T= GROUNDING, THREADHD GALVANIZED INSERT
 POLE THICKNESS= 4MM



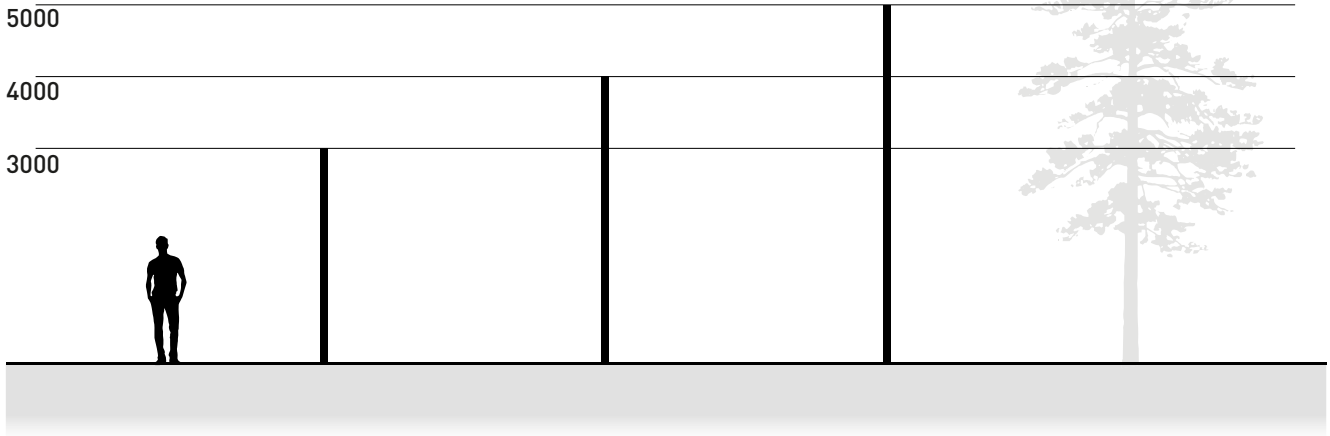
T= GROUNDING, THREADHD GALVANIZED INSERT
 POLE THICKNESS= 4MM



T= GROUNDING, THREADHD GALVANIZED INSERT
 POLE THICKNESS= 4MM



POLES POLES WITH BASE-PLATE



809904	CYLINDRICAL POLE 3 M.
	WITH BASE-PLATE

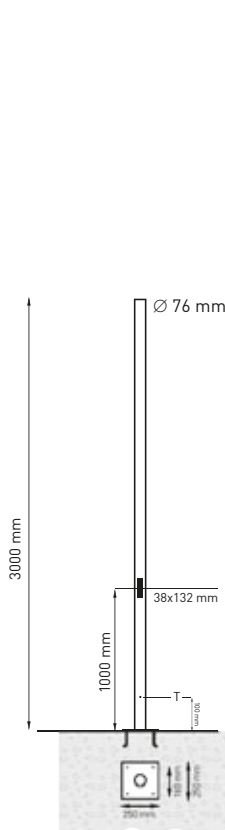
Cylindrical pole made in steel S235JR (UNI EN 10219) hot galvanized (UNI EN 1461), **diameter 76 mm, thickness 4 mm.** Phospho-chromatised and polyester powder coated. **Total height 3.000 mm, with base plate dim. 250x250 mm,** thickness 10 mm. Includes IP54 cover plate 132x38 mm and terminal block in double insulation.

809905	CYLINDRICAL POLE 4 M.
	WITH BASE-PLATE

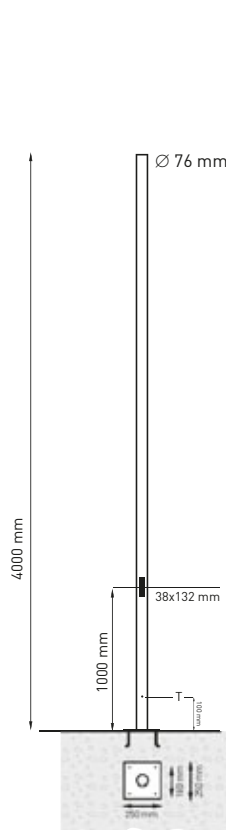
Cylindrical pole made in steel S235JR (UNI EN 10219) hot galvanized (UNI EN 1461), **diameter 76 mm, thickness 4 mm.** Phospho-chromatised and polyester powder coated. **Total height 4.000 mm, with base plate dim. 250x250 mm,** thickness 10 mm. Includes IP54 cover plate 132x38 mm and terminal block in double insulation.

809906	CYLINDRICAL POLE 5 M.
	WITH BASE-PLATE

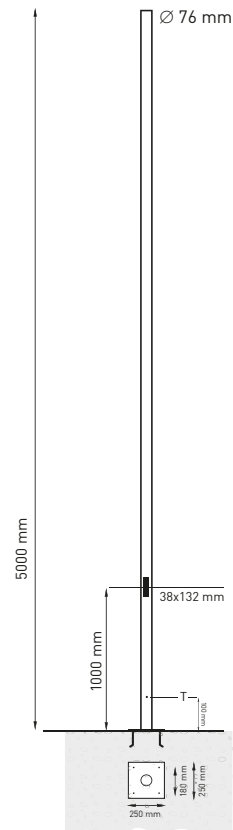
Cylindrical pole made in steel S235JR (UNI EN 10219) hot galvanized (UNI EN 1461), **diameter 76 mm, thickness 4 mm.** Phospho-chromatised and polyester powder coated. **Total height 5.000 mm, with base plate dim. 250x250 mm,** thickness 10 mm. Includes IP54 cover plate 132x38 mm and terminal block in double insulation.



T= GROUNDING, THREADED GALVANIZED INSERT
POLE THICKNESS= 4MM



T= GROUNDING, THREADED GALVANIZED INSERT
POLE THICKNESS= 4MM



T= GROUNDING, THREADED GALVANIZED INSERT
POLE THICKNESS= 4MM





