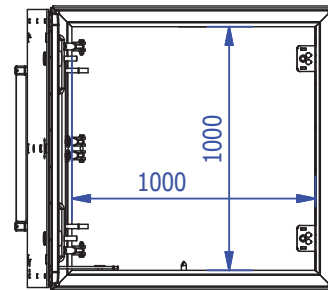
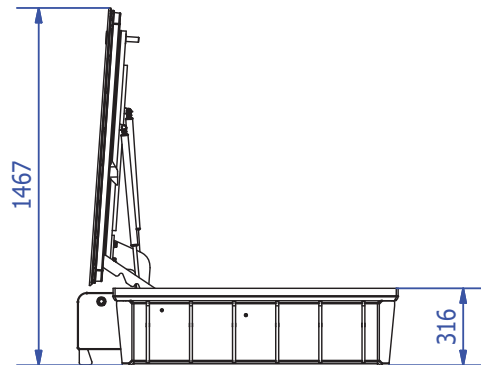


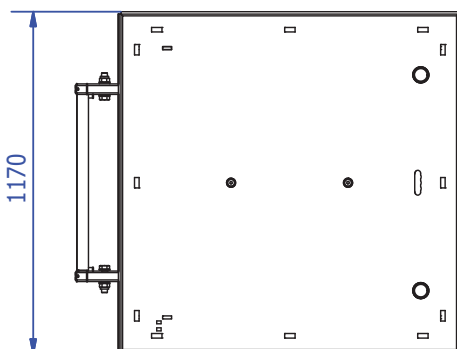
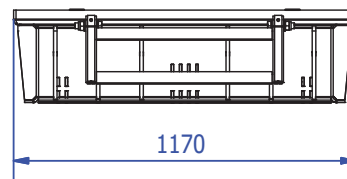
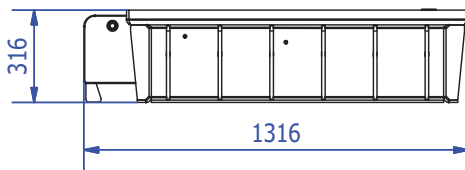


# Access covers TECHNICAL DATACARD

ENTRY ACCESS COVER 1000 x 1000  
CLASS F900



WIDTH	LENGTH	HIGH	ESTIMATED WEIGHT	FREE WIDE PASS
1170 mm.	1316 mm.	316 mm.	455 Kg	1000x1000 mm.
TYPE F900 - UNE-EN 124 / WATERTIGHT.				
MADE OF CARBON STEEL S275JR/1.0044 AND TREATMENT ZINC Cr + III + SEALED./ CORROSION CATEGORY C4 H.				
SAFETY LOCK SCREW ALUMINUM BRONZE / WITH SAFETY KEY SPECIAL.				
COVER CONSISTS OF A STEEL TEAR PLATE WITH SLIP RESISTANCE				
ADDITIONAL HELP FOR OPENING AND CLOSING BY A GAS ASSISTED SPRING DAMPERS.				
SECURITY SYSTEM WITH INTEGRATED ARRESTOR (INCORPORATED).				
OPTIONS:				
ADAPTED TO CUSTOMERS REQUEST. (LOGOS AND DISTINCTIVE)				



Appróx. weight 455 kg.

