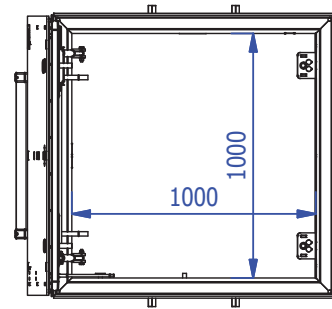
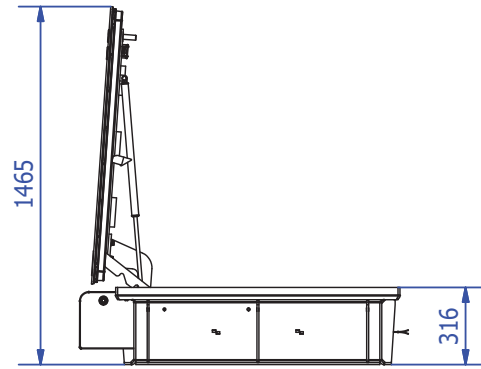
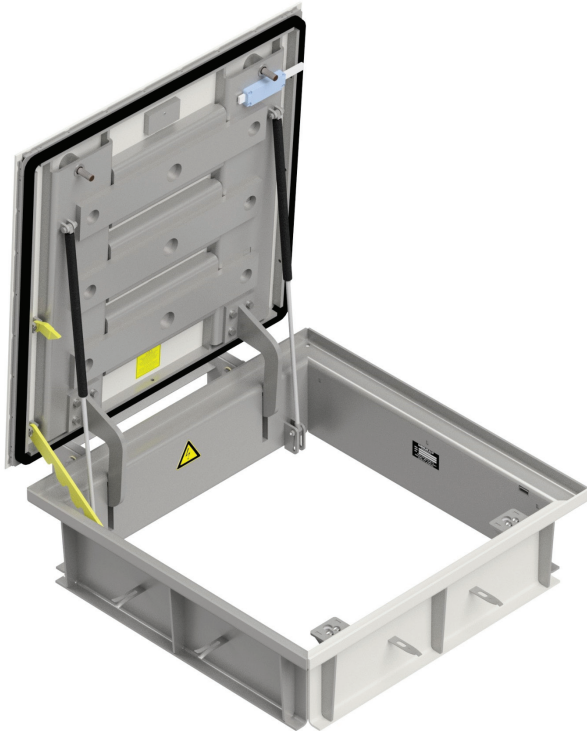




TECHNICAL DATACARD

ENTRY ACCESS COVER 1000 x 1000 CLASS E600



WIDTH	LENGTH	HIGH	ESTIMATED WEIGHT	FREE WIDE PASS
1166 mm.	1314 mm.	316 mm.	390 Kg	1000x1000 mm.

TYPE E600 - UNE-EN 124 / WATERTIGHT.

MADE OF CARBON STEEL S275JR/1.0044 TREATMENT ZINC Cr + III + SEALING. / CORROSION CATEGOTY C4 H.

SAFETY LOCK SCREW ALUMINUM BRONZE / WITH SPECIAL SAFETY KEY.

COVER CONSISTS OF A STEEL TEAR PLATE WITH SLIP RESISTANCE

ADDITIONAL HELP FOR OPENING AND CLOSING BY A GAS ASSISTED SPRING DAMPERS.

SECURITY SYSTEM WITH INTEGRATED ARRESTOR (INCORPORATED).

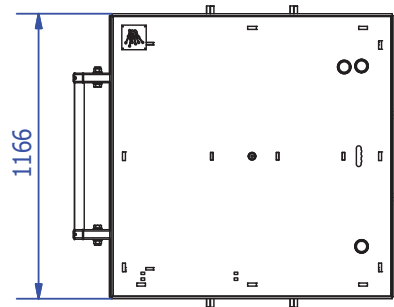
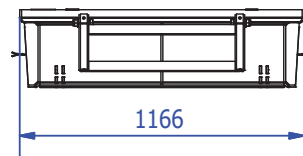
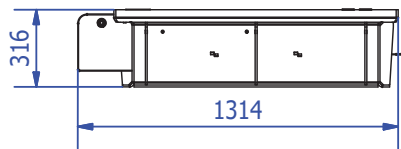
OPTIONS:

ATTACK-PROOF (SAFETY LOCK).

CARBON MANUFACTURED S275JR / 1.0044 AND EPOXY PAINT

SAFETY GUARD / ANTIFALL GUARD.

ADAPTED TO CUSTOMERS REQUEST. (LOGOS AND DISTINCTIVE)



Appróx. weight 390 kg.



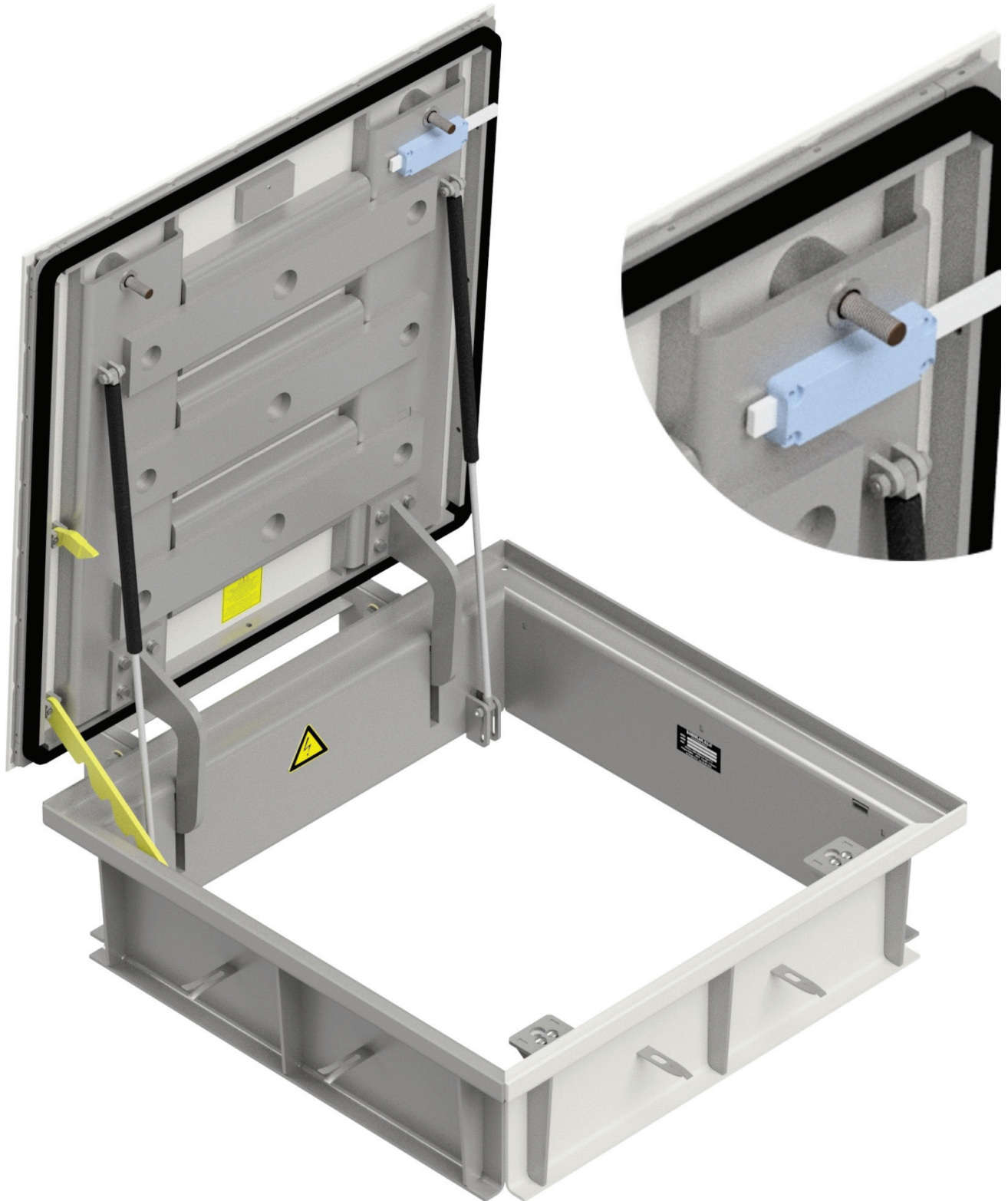


TECHNICAL DATACARD

ENTRY ACCESS COVER 1000 x 1000

CLASS E600

ATTACK PROOF/ SAFETY LOCK



* Homologated attack-proof security lock with security code key.

* Optional: - Rekeying and Master Key
- Tailored to customers request.

