



Two-part extension ladder with hook

The two-part extension ladder with hook is ideal for getting onto the roof without permanently fitted loft ladders or space-saving stairs.



Advantages

- Suitable for retrofitting
- Compact ladder dimensions
- Can be stored in a collapsed state
- Set it down on the floor, attach it - done!



Ladder

- Maximum of 6.10 m extended
- 3.02 m collapsed
- Clear span 370 mm
- Rung dimension: 30 x 30 mm
- Load bearing 150 kg per tread



Ready to install including

- Hook set
- Safety hook





Standard dimensions

Rail length	Room height	Weight	MSRP excluding VAT
Size 10 302 - 498	270 - 470	12.2 kg	€ 651
Size 12 360 - 610	330 - 580	14.5 kg	€ 746

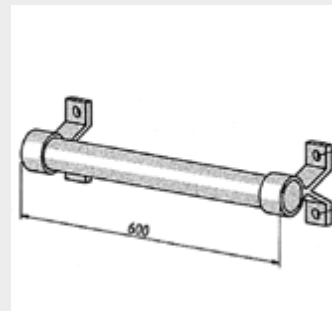


Optional accessories

- Attachment device for wooden substrate

For attaching leaning ladders with Ø 30 mm hooks.
 For securing the ladder to prevent it from sliding.
 With attachment screws. Self-installation

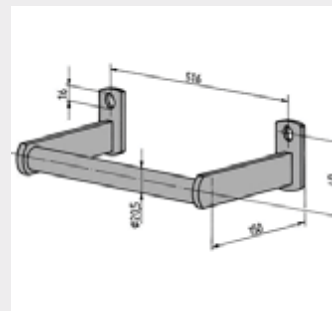
€ 51 per pc.



- Attachment device for concrete or metallic substrate

For attaching leaning ladders with Ø 30 mm hooks.
 For securing the ladder to prevent it from sliding.
 without dowels or attachment screws. Self-installation

€ 82 per pc.



Optional accessories

Ladder bracket retaining element

Hot-dip galvanised chain and padlock
 made of brass for ladder bracket

€ 57 per set

