



Disco & Gala

Wall / Ceiling luminaires



Body

Round or square surface luminaires with body and satin opal diffuser in injection molded polycarbonate inclusive of durable silicone gasket.

External frame in cast aluminium with countersunk screws. Simple to install with 2 cable entries to facilitate through wiring and easy click system removable diffuser.

Available in 3 sizes.

LED sources

Samsung SMD.
CRI: 80 | CCT: 3000K, 4000K.

Other CRI and CCT options available on request.

Related Products

Orbit
P.344



Optic

Equipped with acrylic satin opal diffuser.

Accessories

No accessories available.

Driver

Supplied with integrated no-dimmable driver.

Dimming Options: 0-10V Dim, DALI, Phase, CASAMBI.
Emergency kit available upon request.

Finish

Superior polyester powder coat in black and grey colour.

Applications

Up to 685mm luminaire to provide large areas of uniform and high light output. Easy installation and maintenance due to the click system design diffuser.

Application areas: lobbies, walkways, corridors, balconies.



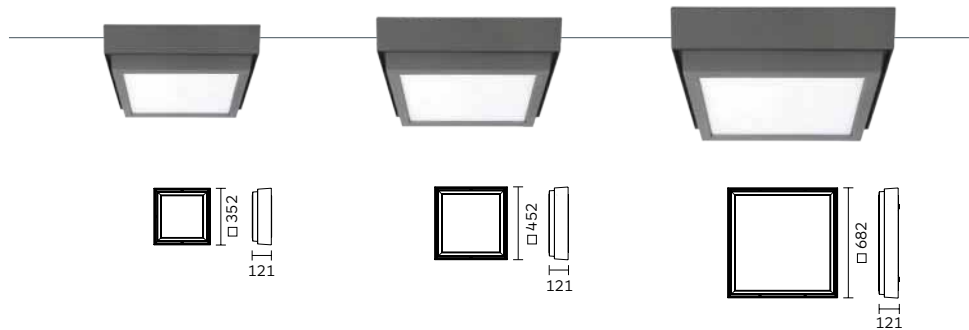
Disco & Gala


Disco 352 / 452 / 682

Wall / Ceiling surface


Gala 352 / 452 / 682

Wall / Ceiling surface


 Code ordering example: **3 4 8 4 B M 1 1 - 8 0 3 0 0 0 D 0 1 0**

	Product code	Light source code*	>CRI	CCT**	LED Power	Nominal Lumen	Beam angle (BA°)	Driver Options	Finish
Disco 352	3484	BM11 Samsung SMD	80	30 3000K	30W	2650 lm	EW (00)	D0 No Dim	10 ■ Black
				40 4000K		2850 lm		DX DMX	29 ■ Grey (Outdoor)
Gala 352	3485							DA Dali Dim	
								D1 0-10 Dim	
Disco 452	3482				45W	3800 lm		DP Phase	
						4000 lm		DC CASAMBI	
Gala 452	3483								
Disco 682	3480				80W	6800 lm			
						7100 lm			
Gala 682	3481								

Notes:

* For complete code ordering information, please see page 377.

** For other CCT options, please contact us

 EW = Extra Wide. Ordering code: **00**.