

MIDPOINT - CHANNEL / TYPE - P7 [LED, HIT, QR111]



DE

Midpoint-P7 | Pendel-Lichtkanal für LED, HIT oder QR111-Strahler

- Einzel- oder Lichtbandmontage, Midpoint-P7 kann mit Matric-P7 kombiniert werden und so durchlaufende Lichtkanäle mit Leuchtstofflampen und Strahlern bilden
- Leuchtenkörper aus Aluminium, natureloxiert.
- LED: optional in Lichtfarbe warm weiß (3000°K) oder neutralweiß (4000°K), Farbwiedergabe Ra>80 (Ra>90 auf Anfrage), Systemeffizienz je nach Lichtfarbe 70-95 lm/W, jeweils aktuelle Anschlussleistungen auf Anfrage, Lebensdauer 50.000 h, inklusive LED-Konverter
- HIT: exklusive Leuchtmittel, inklusive elektronischer Vorschaltgeräte
- QR111: exklusive Leuchtmittel, inklusive elektronischer Trafos, dimmbar über Phasenabschnittsdimmer
- T5/MR16: Indirektkomponente für T5-Leuchtstofflampen. Direktkomponente mit MR16 LED-Retrofit 4W/650cd/3000°K/ nicht schwenkbar. T5 und LED-Spots getrennt schaltbar
- Stufenlos höhenverstellbare Y-Seilabhängung mit transparent ummantelter Zuleitung

EN

Midpoint-P7 | Recessed-mounted light channel for LED, HIT or QR111-Spotlights

- Single or row installation, Midpoint-P7 can be combined with Matric-P7 for rows with fluorescent lamps and spotlights
- Luminaire body made of aluminium, natural anodised. Spotlight housing made of aluminium silver coated, 355° rotatable and until 66° tiltable
- Reflectors made of pure aluminium with high specular anodised finish in different beam angles
- LED: optionally in colour temperature warm white (3000°K) or neutral white (4000°K), colour rendering Ra>80 (Ra>90 on request), system efficiency 70-95 lm/W depending on colour temperature, power consumption on request, lamp life 50,000 hours, including LED-converter
- HIT: excluding lamps, including electronic ballasts
- QR111: excluding lamps, including transformer trailing-edge dimmable
- T5/MR16: indirect component for T5 fluorescent lamps, direct component with MR16-LED Retrofits 4W/650cd/3000°K/ non tiltable. T5 and LED-spots separately switchable.
- cord suspension continuously height-adjustable, power supply with transparent insulation

Verwandte Produkte | Related products :



MIDPOINT-RECESSED/TYPE-M
[LED, HIT] 14



MIDPOINT-RECESSED/TYPE-G
[LED, HIT] 16



MIDPOINT-CHANNEL/TYPE-L6
[LED, HIT] 20



MIDPOINT-TRACK/TYPE-R
[LED, HIT, QR111] 28



MIDPOINT-TRACK/TYPE-F
[LED, HIT, QR111] 30

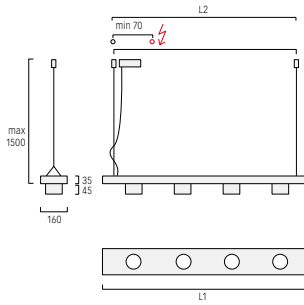
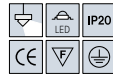


PRODUKT-INFO (DE)



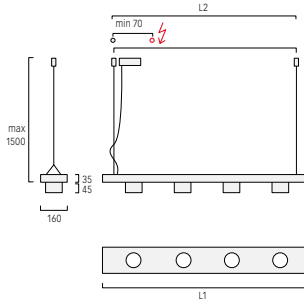
PRODUCT INFO (EN)

Midpoint-P7 [LED]:



| L1 | L2 | LED-Info | Reflector | Art-Nr. Code | Kg |
|--------------------------------|------|------------------|------------|------------------------|-----|
| 4-Lamp / Warm White 3000°K: | | | | | |
| 1200 | 1170 | LED-4x2000lm/830 | Medium 32° | PP7BEEP-4x2000-830-Y3S | 8,8 |
| 1200 | 1170 | LED-4x3000lm/830 | Medium 32° | PP7BEEP-4x3000-830-Y3S | 8,8 |
| 4-Lamp / Neutral White 4000°K: | | | | | |
| 1200 | 1170 | LED-4x2000lm/840 | Medium 32° | PP7BEEP-4x2000-840-Y3S | 8,8 |
| 1200 | 1170 | LED-4x3000lm/840 | Medium 32° | PP7BEEP-4x3000-840-Y3S | 8,8 |

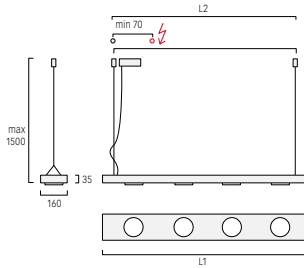
Midpoint-P7 [HIT]:



| L1 | L2 | Leuchtmittel Lamps | Reflector | Art-Nr. Code | Kg |
|---|------|----------------------|------------|-------------------|-----|
| exklusive Leuchtmittel lamp excluded: | | | | | |
| 2-Lamp: | | | | | |
| 600 | 570 | HIT-TC-CE/G8.5/2x35W | Spot 17° | PP7AEEX-2x35-Y3S | 8,8 |
| 600 | 570 | HIT-TC-CE/G8.5/2x35W | Medium 32° | PP7BEEEX-2x35-Y3S | 8,8 |
| 600 | 570 | HIT-TC-CE/G8.5/2x35W | Flood 52° | PP7CEEX-2x35-Y3S | 8,8 |
| 600 | 570 | HIT-TC-CE/G8.5/2x70W | Spot 17° | PP7AEEX-2x70-Y3S | 8,8 |
| 600 | 570 | HIT-TC-CE/G8.5/2x70W | Medium 32° | PP7BEEEX-2x70-Y3S | 8,8 |
| 600 | 570 | HIT-TC-CE/G8.5/2x70W | Flood 52° | PP7CEEX-2x70-Y3S | 8,8 |
| 4-Lamp: | | | | | |
| 1200 | 1170 | HIT-TC-CE/G8.5/4x35W | Spot 17° | PP7AEEX-4x35-Y3S | 8,8 |
| 1200 | 1170 | HIT-TC-CE/G8.5/4x35W | Medium 32° | PP7BEEEX-4x35-Y3S | 8,8 |
| 1200 | 1170 | HIT-TC-CE/G8.5/4x35W | Flood 52° | PP7CEEX-4x35-Y3S | 8,8 |
| 1200 | 1170 | HIT-TC-CE/G8.5/4x70W | Spot 17° | PP7AEEX-4x70-Y3S | 8,8 |
| 1200 | 1170 | HIT-TC-CE/G8.5/4x70W | Medium 32° | PP7BEEEX-4x70-Y3S | 8,8 |
| 1200 | 1170 | HIT-TC-CE/G8.5/4x70W | Flood 52° | PP7CEEX-4x70-Y3S | 8,8 |

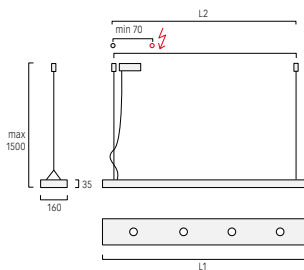
23

Midpoint-P7 [QR111]:



| L1 | L2 | Leuchtmittel Lamps | Art-Nr. Code | Kg |
|---|------|----------------------|-----------------|-----|
| exklusive Leuchtmittel lamp excluded: | | | | |
| 600 | 570 | QR111/G53/ 2x60W | PP7DETH-2QR-Y3S | 3,9 |
| 900 | 870 | QR111/G53/ 3x60W | PP7DETH-3QR-Y3S | 4,8 |
| 1200 | 1170 | QR111/G53/ 4x60W | PP7DETH-4QR-Y3S | 5,2 |
| 1500 | 1470 | QR111/G53/ 5x60W | PP7DETH-5QR-Y3S | 6,9 |

Midpoint-P7 [T5/MR16]:



| L1 | L2 | Leuchtmittel Lamps | Art-Nr. Code | Kg |
|---|------|------------------------|---------------------|-----|
| inklusive Leuchtmittel lamp included: | | | | |
| 900 | 870 | T5 2x39+4xLED 4W/650cd | PP7DEGT-239+4MR-Y5S | 8,8 |
| 1200 | 1170 | T5 2x54+6xLED 4W/650cd | PP7DEGT-254+6MR-Y5S | 8,8 |
| 1500 | 1470 | T5 2x80+7xLED 4W/650cd | PP7DEGT-280+7MR-Y5S | 8,8 |