



Eclipse Pro

Recessed 110 | 155 | 195

Fixed / Adjustable



Body

Round mounting trim in cast aluminium with springs for trim installation on a ceiling thickness of max. 30mm or brackets for trimless installation on a ceiling thickness of 12-15mm.

Luminaire body and front ring in cast aluminium with integrated superpure aluminium reflector.

Adjustable version tiltable vertically 0-35° and rotatable horizontally 350°.

LED sources

Bridgelux Vero Series. Citizen CLU Seires. Xicato Artist, Beauty and Designer Series.

CRI: 90, 95, 98 | CCT: 2700K, 3000K, 4000K.

Other CRI and CCT options, Tuneable White and DimToWarm versions available on request.

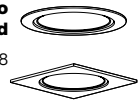
Optic

Inner reflector & secondary reflector.
Narrow, medium and wide beam angle available.

Related Products

Nippo Recessed

P.108



Comforto Recessed

P.120



Accessories

No accessories available.

Driver

Supplied with No-dimable remote driver.
Dimming Options: 0-10V Dim, DALI, Phase, CASAMBI.

Finish

Powder coat in white or grey colour.

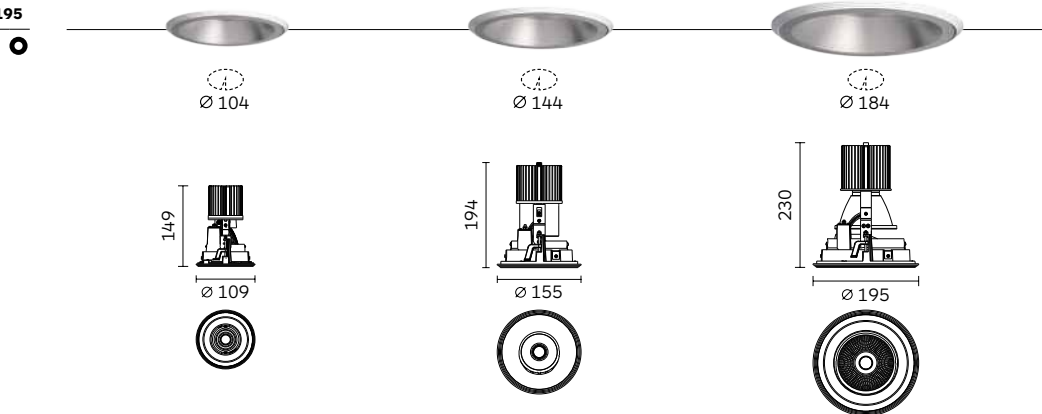
Applications

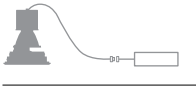
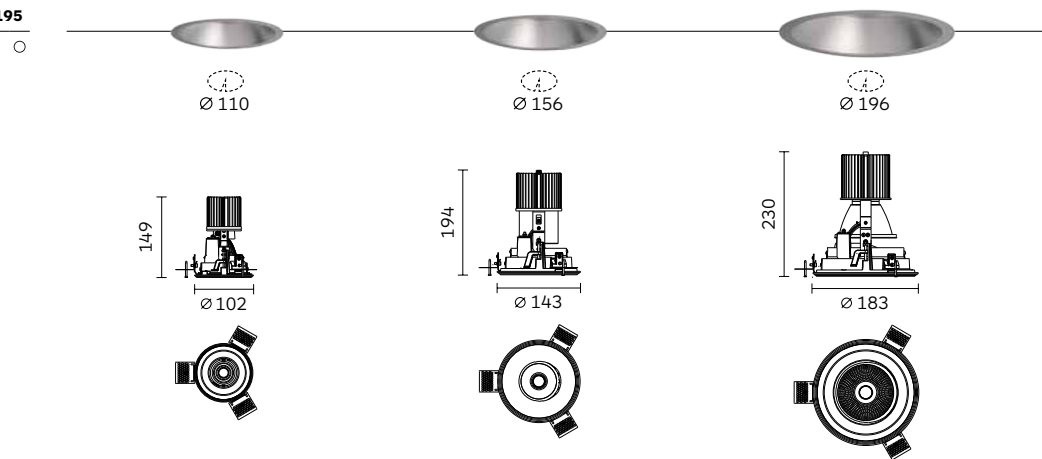
A visual simplicity seamless shape designed for excellent visual comfort with full directional light adjustability keeping homogeneous appearance. Ideal for highlighting.
Application areas: retail, hotels, restaurants, gyms.



Eclipse Pro


Eclipse Pro 110 / 155 / 195

 Fixed Trim

Eclipse Pro 110 / 155 / 195

 Fixed Trimless

 Code ordering example: **R J 9 1 B C 2 2 - 9 0 3 0 1 6 D 0 1 1**

	Product Code	Light Source Code*	>CRI	CCT**	LED Power	Nominal Lumen	Beam Angle (BA°)	Driver Options	Finish
Eclipse Pro 110 Fixed	RJ91 <input checked="" type="radio"/>	BC22	90	30 3000K	18W	1800 lm	16 / 27 / 40	D0 No Dim	11 <input type="checkbox"/> White
	RJ92 <input type="radio"/>			40 4000K		1900 lm		DA Dali Dim	75 <input type="checkbox"/> Grey
Eclipse Pro 155 Fixed	RF94 <input checked="" type="radio"/>	BB12			26W	2030 lm	14 / 27 / 40	DP Phase Dim	
	RG01 <input type="radio"/>					2190 lm		DC CASAMBI	
Eclipse Pro 195 Fixed	RF80 <input checked="" type="radio"/>	BB11			44W	3500 lm	16 / 29 / 38	D1 0-10V Dim	
	RF88 <input type="radio"/>					4000 lm			

Notes:

* For complete code ordering information, please see page 377.

** For other CCT options, please contact us.

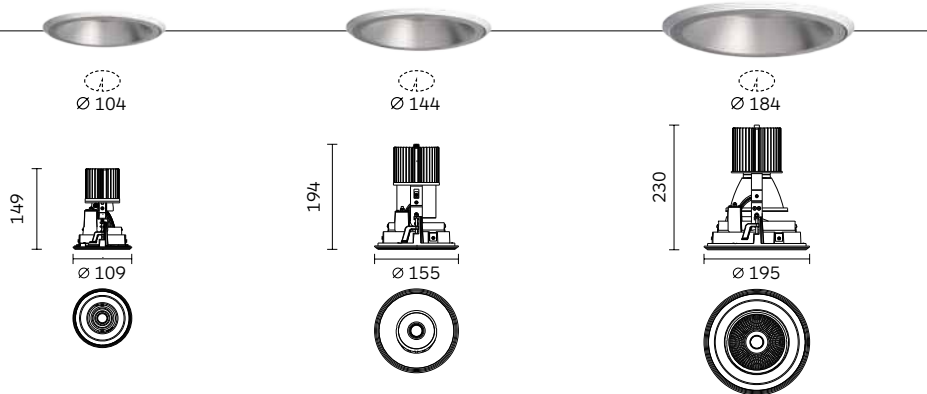


Eclisse Pro



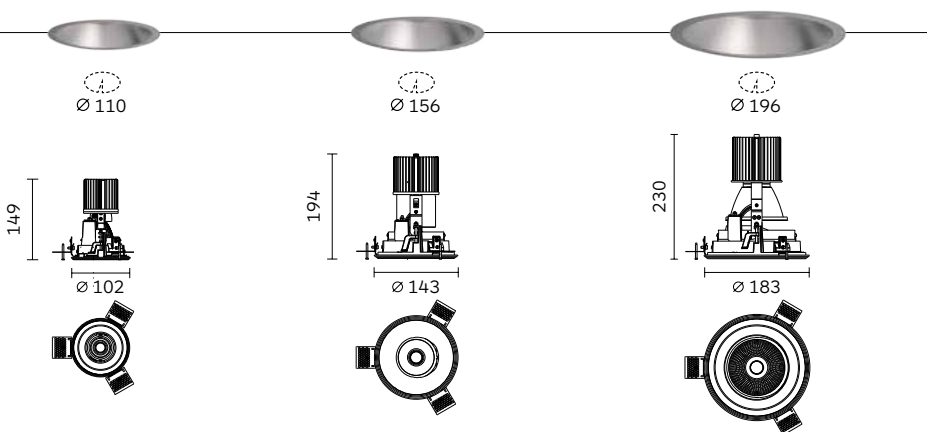
Eclisse Pro 110 / 155 / 195

Adjustable Trim



Eclisse Pro 110 / 155 / 195

Adjustable Trimless



Code ordering example: **RC47BC22-903016D011**

	Product Code	Light Source Code*	>CRI	CCT**	LED Power	Nominal Lumen	Beam Angle (BA°)	Driver Options	Finish
Eclisse Pro 110 Adjustable	RC47 <input checked="" type="radio"/>	BC22	90	30 3000K	18W	1800 lm	16 / 27 / 40	D0 No Dim	11 <input type="checkbox"/> White
	RC48 <input type="radio"/>			40 4000K		1900 lm		DA Dali Dim	75 <input type="checkbox"/> Grey
Eclisse Pro 155 Adjustable	RC45 <input checked="" type="radio"/>	BB12			26W	2030 lm	14 / 27 / 40	DP Phase Dim	
	RC46 <input type="radio"/>					2190 lm		DC CASAMBI	
Eclisse Pro 195 Adjustable	RC43 <input checked="" type="radio"/>	BB11			44W	3500 lm	16 / 29 / 38	D1 0-10V Dim	
	RC44 <input type="radio"/>					4000 lm			

Notes:

* For complete code ordering information, please see page 377.

** For other CCT options, please contact us.





Eclipse Pro Recessed Family configuration options

Code ordering example: **R J 9 1 B C 2 2 - 9 0 3 0 1 6 D 0 1 1**

Eclipse Pro 110

Fixed | Adjustable

Product Code	Light Source Code	>CRI	CCT	LED Power	Nominal Lumen	Beam Angle (BA°)	Driver Options	Finish
RJ91 <input checked="" type="radio"/> Fixed	BC22 Citizen COB	90	30 3000K	18W	1800 lm	16 / 27 / 40	D0 No Dim	11 <input type="checkbox"/> White
RJ92 <input type="radio"/> Fixed			40 4000K		1900 lm		DA Dali Dim	75 <input checked="" type="checkbox"/> Grey
RC47 <input checked="" type="radio"/> Adjustable	BX22 Xicato Artist XTM	98	27 2700K	10.6W	700 lm	22 / 38 / 48	DP Phase Dim	DC CASAMBI
RC48 <input type="radio"/> Adjustable	BX61 XIM			11.5W			DC CASAMBI	
	BX31 Beauty XTM	95		9.5W	931 lm	28 / 35 / 45	D1 1-10V Dim	
	BX71 XIM			11.5W				
	BX41 Designer XTM	90		11.4W	1300 lm			
	BX81 XIM			13.2W				
	GU53 Retrofit MR16-GU5,3	00	00	/	/	/(00)	00 No Driver	
	GU10 GZ10-GU10							

Eclipse Pro 155

Fixed | Adjustable

Product Code	Light Source Code	>CRI	CCT	LED Power	Nominal Lumen	Beam Angle (BA°)	Driver Options	Finish
RF94 <input checked="" type="radio"/> Fixed	BB12 Bridgelux COB	90	30 3000K	26W	2030 lm	14 / 27 / 40	D0 No Dim	11 <input type="checkbox"/> White
RG01 <input type="radio"/> Fixed			40 4000K		2190 lm		DA Dali Dim	75 <input checked="" type="checkbox"/> Grey
RC45 <input checked="" type="radio"/> Adjustable	BX22 Xicato Artist XTM	98	27 2700K	10.6W	700 lm	22 / 38 / 48	DP Phase Dim	DC CASAMBI
RC46 <input type="radio"/> Adjustable	BX61 XIM			11.5W			DC CASAMBI	
	BX31 Beauty XTM	95		9.5W	931 lm	28 / 35 / 45	D1 0-10V Dim	
	BX71 XIM			11.5W				
	BX41 Designer XTM	90		11.4W	1300 lm			
	BX81 XIM			13.2W				

Eclipse Pro 195

Fixed | Adjustable

Product Code	Light Source Code	>CRI	CCT	LED Power	Nominal Lumen	Beam Angle (BA°)	Driver Options	Finish
RF80 <input checked="" type="radio"/> Fixed	BB11 Bridgelux COB	90	30 3000K	44W	3500 lm	16 / 29 / 38	D0 No Dim	11 <input type="checkbox"/> White
RF88 <input type="radio"/> Fixed			40 4000K		4000 lm		DA Dali Dim	75 <input checked="" type="checkbox"/> Grey
RC43 <input checked="" type="radio"/> Adjustable							DP Phase Dim	DC CASAMBI
RC44 <input type="radio"/> Adjustable							D1 0-10V Dim	
	AR11 Retrofit AR111	00	00	/	/	/(00)	00 No Driver	

Notes:

For other CCT options, please contact us.

