



DomoLED

Recessed Round & Square 90 | 175 | 230



Body

Round and square mounting trim in cast aluminium with springs for trim installation on a ceiling thickness of max. 25mm or brackets for trimless installation on a ceiling thickness of 12-15mm.

Luminaire body of formed white coated steel. Diffuser made of satin opal acrylic. Front trim/diffuser is fitted by snap-in catch action.

IP44 (protection against dust and spraying water). Available in three sizes.

LED sources

Samsung SMD LED.
CRI: 90 | CCT: 3000K, 4000K.
Other CRI and CCT options, Tuneable White and DimToWarm versions available on request.

Optic

Equipped with acrylic satin opal diffuser.

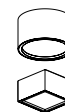
Related Products

Galaxis Pro Recessed



P.122

DomoLED Surface



P.212

DomoLED Pendant



P.238

Accessories

No accessories available.

Driver

Supplied with No-dimable remote driver.
Dimming Options: 0-10V Dim, DALI, Phase, CASAMBI.

Finish

Powder coat in black, white or grey colour.

Applications

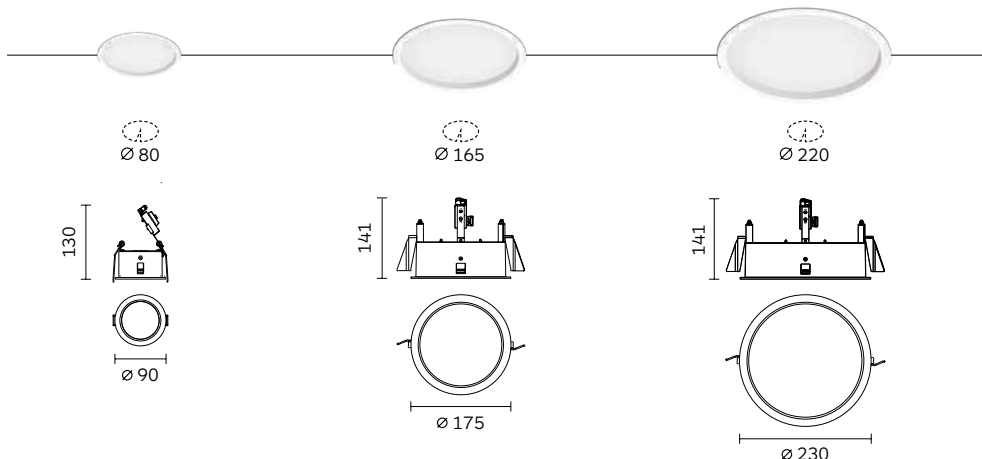
Provide a visual comfortable energy-efficient with a wide uniform general lighting solution, also ideal for use in under canopy or bathroom locations.


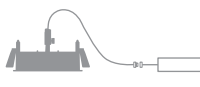
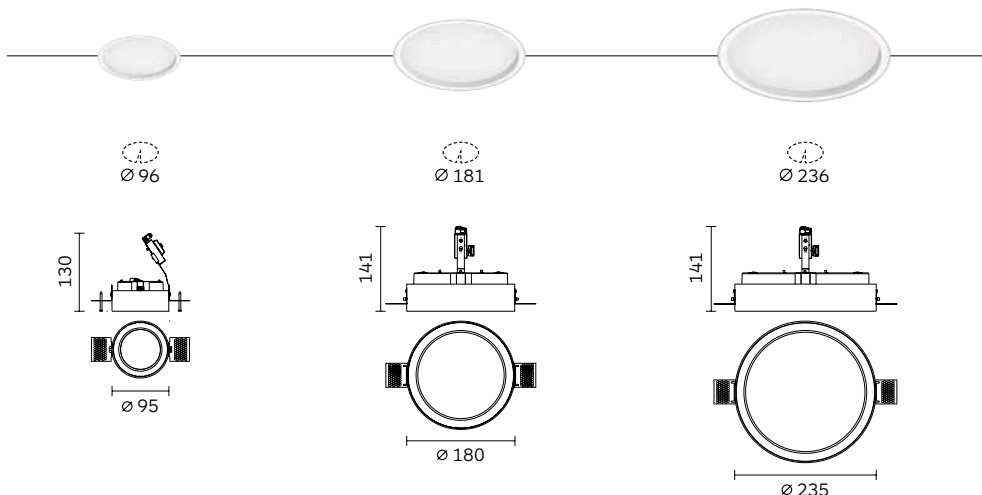
Application areas: offices, receptions, hospitals, bathrooms, residential, hotels.












DomoLED Round


DomoLED 90 / 175 / 230

 Round Trim 

DomoLED 90 / 175 / 230

 Round Trimless 

 Code ordering example: **RE 23 BM 11 - 90 30 00 D 0 10**

	Product Code	Light Source Code*	>CRI	CCT**	LED Power	Nominal Lumen	Beam Angle (BA°)	Driver Options	Finish
DomoLED 90 Round	RE23 	BM11	90	30 3000K	8W	930 lm	EW(00)	D0 No Dim	10  Black
	RE24 			40 4000K		950 lm		DA Dali Dim	11  White
DomoLED 175 Round	RE21 				22W	2520 lm		DP Phase Dim	75  Grey
	RE22 					2650 lm		DC CASAMBI	
DomoLED 230 Round	RE19 				35W	3600 lm		D1 0-10V Dim	
	RE20 					3760 lm			

Notes:

* For complete code ordering information, please see page 377.

** For other CCT options, please contact us.

 EW = Extra Wide. Ordering code: **00**.

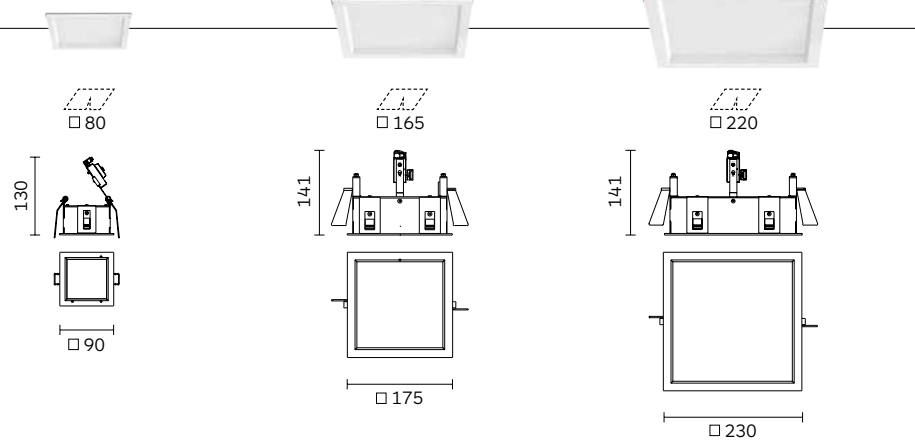


DomoLED Square



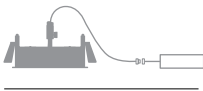
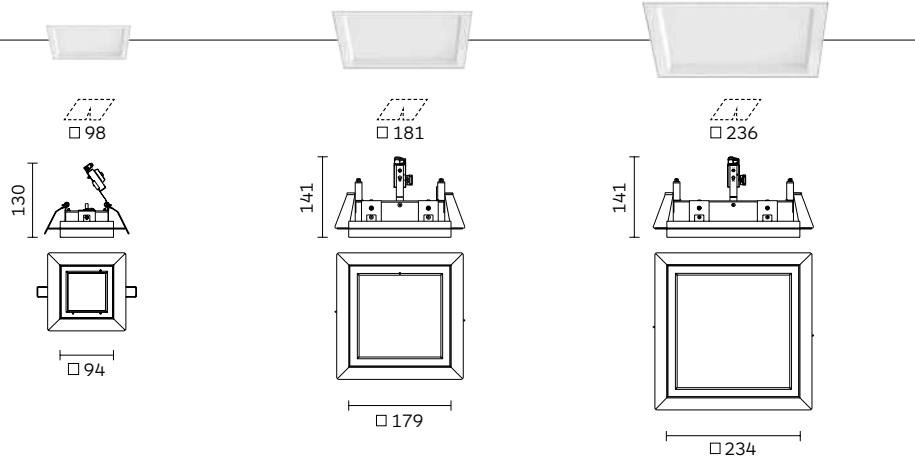
DomoLED 90 / 175 / 230

Fixed Square Trim



DomoLED 90 / 175 / 230

Square Trimless



Code ordering example: **RD26** **BM11** - **90** **3000** **D0** **10**

	Product Code	Light Source Code*	>CRI	CCT**	LED Power	Nominal Lumen	Beam Angle (BA°)	Driver Options	Finish
DomoLED 90 Square	RD26 <input checked="" type="checkbox"/>	BM11	90	30 3000K	8W	930 lm	EW(00)	D0 No Dim	10 <input checked="" type="checkbox"/> Black
	RE28 <input type="checkbox"/>			40 4000K		950 lm		DA Dali Dim	11 <input type="checkbox"/> White
DomoLED 175 Square	RD18 <input checked="" type="checkbox"/>	BM11			22W	2520 lm		DP Phase Dim	75 <input checked="" type="checkbox"/> Grey
	RE27 <input type="checkbox"/>					2650 lm		DC CASAMBI	
DomoLED 230 Square	RE25 <input checked="" type="checkbox"/>	BM11			35W	3600 lm		D1 0-10V Dim	
	RE26 <input type="checkbox"/>					3760 lm			

Notes:

* For complete code ordering information, please see page 377.

** For other CCT options, please contact us.

EW = Extra Wide. Ordering code; **00**.





DomoLED Recessed Family configuration options

Code ordering example: RE23 BM11 - 90 30 00 DO 10

DomoLED 90 Round & Square

Fixed

Product Code	Light Source Code	>CRI	CCT	LED Power	Nominal Lumen	Beam Angle (BA°)	Driver Options	Finish
RE23 <input checked="" type="radio"/>	BM11 Samsung SMD5630	90	30 3000K	8W	930 lm	EW(00)	D0 No Dim	10 <input checked="" type="checkbox"/> Black
RE24 <input type="radio"/>			40 4000K		950 lm		DA Dali Dim	11 <input type="checkbox"/> White
RD26 <input checked="" type="checkbox"/>							DP Phase Dim	75 <input checked="" type="checkbox"/> Grey
RE28 <input type="checkbox"/>							DC CASAMBI	
							D1 0-10V Dim	

DomoLED 175 Round & Square

Fixed

Product Code	Light Source Code	>CRI	CCT	LED Power	Nominal Lumen	Beam Angle (BA°)	Driver Options	Finish
RE21 <input checked="" type="radio"/>	BM11 Samsung SMD5630	90	30 3000K	22W	2520 lm	EW(00)	D0 No Dim	10 <input checked="" type="checkbox"/> Black
RE22 <input type="radio"/>			40 4000K		2650 lm		DA Dali Dim	11 <input type="checkbox"/> White
RD18 <input checked="" type="checkbox"/>							DP Phase Dim	75 <input checked="" type="checkbox"/> Grey
RE27 <input type="checkbox"/>							DC CASAMBI	
							D1 0-10V Dim	

DomoLED 230 Round & Square

Fixed

Product Code	Light Source Code	>CRI	CCT	LED Power	Nominal Lumen	Beam Angle (BA°)	Driver Options	Finish
RE19 <input checked="" type="radio"/>	BM11 Samsung SMD5630	90	30 3000K	35W	3600 lm	EW(00)	D0 No Dim	10 <input checked="" type="checkbox"/> Black
RE20 <input type="radio"/>			40 4000K		3760 lm		DA Dali Dim	11 <input type="checkbox"/> White
RE25 <input checked="" type="checkbox"/>							DP Phase Dim	75 <input checked="" type="checkbox"/> Grey
RE26 <input type="checkbox"/>							DC CASAMBI	
							D1 0-10V Dim	

Notes:

For other CCT options, please contact us.





DomoLED

Surface Round & Square 90 | 175 | 230



Body

Round or square ceiling mounted luminaire with light trim in cast aluminium inclusive of diffuser made of satin opal acrylic.

Light body in extruded aluminium. Easy installation via twist and lock action using PC injection moulded gear.

Front trim/diffuser removable by snap-in catch action. Available in 3 different sizes.

Accessories

No accessories available.

Finish

Powder coat in black, white or grey colour.

LED sources

Samsung SMD LED.
CRI: 90 | CCT: 3000K, 4000K.
Other CRI and CCT options available on request.

Optic

Equipped with acrylic satin opal diffuser.

Driver

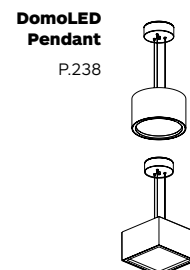
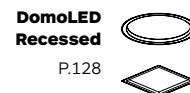
Inclusive of integrated no-dimable driver.
Dimming Options: 0-10V Dim, DALI, Phase, CASAMBI.

Applications

A simple and stylish design. The 3 directional emitting satin acrylic cover enables the architect and lighting designers the ability to integrate it into most applications including wet rooms.

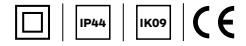
Application areas: office, schools, gyms, community buildings, supermarkets, retail.

Related Products



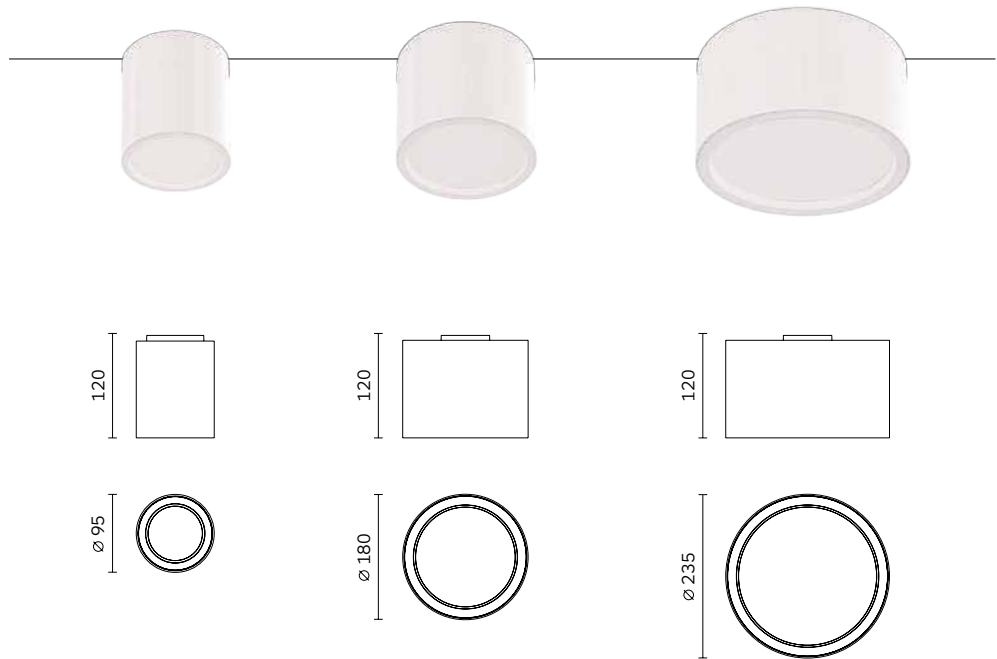


DomoLED Round



DomoLED 90 / 175 / 230

Surface Round



Code ordering example: 1 2 3 3 B M 1 1 - 9 0 3 0 0 0 D 0 1 0

	Product Code	Light Source Code*	>CRI	CCT	LED Power	Nominal Lumen	Beam Angle (BA°)	Driver Options	Finish
DomoLED 90 Surface Round	1233	BM11	90	30 3000K	8W	928 lm	EW(00)	D0 No Dim	10 ■ Black
				40 4000K		976 lm		DP Phase Dim	11 □ White
								D1 0-10V Dim	75 ■ Grey
DomoLED 175 Surface Round	1232				22W	2552 lm		D0 No Dim	
						2684 lm		DA Dali Dim	
DomoLED 230 Surface Round	1231				34W	3944 lm		DP Phase Dim	
						4148 lm		DC CASAMBI	
								D1 0-10V Dim	

Notes:

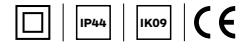
* For complete code ordering information, please see page 377.

** For other CCT options, please contact us.

EW = Extra Wide. Ordering code: **00**.

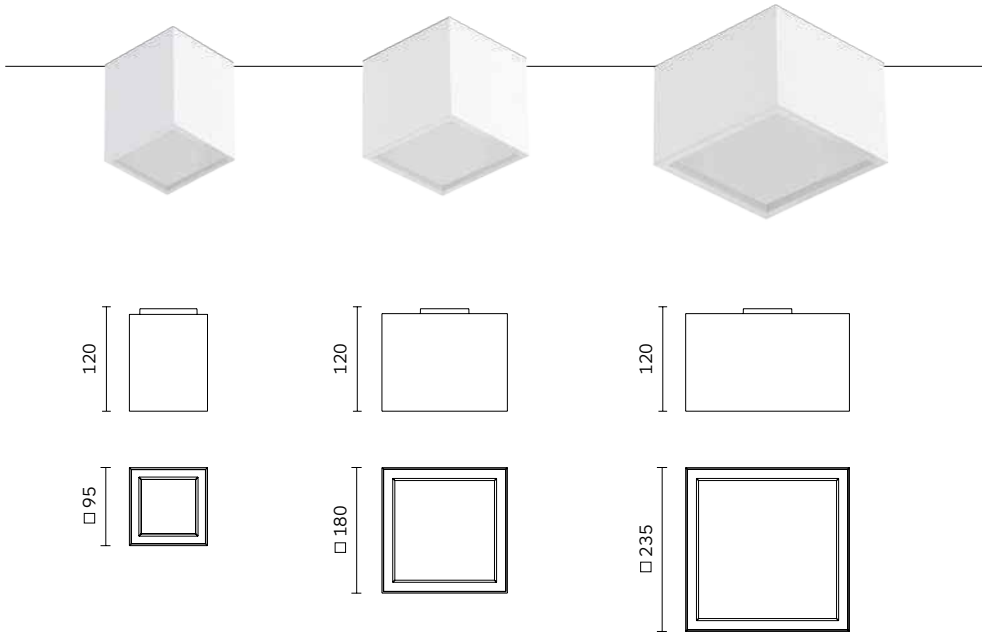


DomoLED Square



DomoLED 90 / 175 / 230

Surface Square



Code ordering example: **1 2 3 6 B M 1 1 - 9 0 3 0 0 0 D 0 1 0**

	Product Code	Light Source Code*	>CRI	CCT	LED Power	Nominal Lumen	Beam Angle (BA°)	Driver Options	Finish
DomoLED 90 Surface Square	1236	BM11	90	30 3000K	8W	928 lm	EW(00)	D0 No Dim	10 ■ Black
				40 4000K				DP Phase Dim	11 □ White
								D1 0-10V Dim	75 ■ Grey
DomoLED 175 Surface Square	1235				22W	2552 lm		D0 No Dim	
						2684 lm		DA Dali Dim	
DomoLED 230 Surface Square	1234				34W	3944 lm		DP Phase Dim	
						4148 lm		DC CASAMBI	
								D1 0-10V Dim	

Notes:

- * For complete code ordering information, please see page 377.
- ** For other CCT options, please contact us.

EW = Extra Wide. Ordering code: **00**.

DomoLED Ceiling Family configuration options

 Code ordering example: 1 2 3 3 B M 1 1 - 9 0 3 0 0 0 D 0 1 0

DomoLED 90

Ceiling

Product Code	Light Source Code	>CRI	CCT	LED Power	Nominal Lumen	Beam Angle (BA°)	Driver Options	Finish
1233 Round	BM11 Samsung SMD	90	30 3000K	8W	928 lm	EW(00)	D0 No Dim	10 <input checked="" type="checkbox"/> Black
1236 Square			40 4000K		976 lm		DP Phase Dim	11 <input type="checkbox"/> White
							D1 0-10V Dim	75 <input checked="" type="checkbox"/> Grey

DomoLED 175

Ceiling

Product Code	Light Source Code	>CRI	CCT	LED Power	Nominal Lumen	Beam Angle (BA°)	Driver Options	Finish
1232 Round	BM11 Samsung SMD	90	30 3000K	22W	2252 lm	EW(00)	D0 No Dim	10 <input checked="" type="checkbox"/> Black
1235 Square			40 4000K		2684 lm		DA Dali Dim	11 <input type="checkbox"/> White
							DP Phase Dim	75 <input checked="" type="checkbox"/> Grey
							DC CASAMBI	
							D1 0-10V Dim	

DomoLED 230

Ceiling

Product Code	Light Source Code	>CRI	CCT	LED Power	Nominal Lumen	Beam Angle (BA°)	Driver Options	Finish
1231 Round	BM11 Samsung SMD	90	30 3000K	34W	3944 lm	EW(00)	D0 No Dim	10 <input checked="" type="checkbox"/> Black
1234 Square			40 4000K		4148 lm		DA Dali Dim	11 <input type="checkbox"/> White
							DP Phase Dim	75 <input checked="" type="checkbox"/> Grey
							DC CASAMBI	
							D1 0-10V Dim	

Notes:

For other CCT options, please contact us.



DomoLED

Pendant Round & Square 90 | 175 | 230



Body

Round or square pendant mounted luminaire with light trim in cast aluminium inclusive of diffuser made of satin opal acrylic.

Light body in extruded aluminium.

Supplied with ceiling canopy, pre-installed 1.5m electrical cable and 1/3 1.5m pendant steel wires. Available in 3 different sizes.

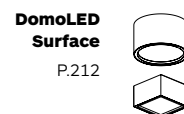
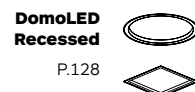
LED sources

Samsung SMD LED.
CRI: 90 | CCT: 3000K, 4000K.
Other CRI and CCT options available on request.

Optic

Equipped with acrylic satin opal diffuser.

Related Products



Accessories

No accessories available.

Driver

Inclusive of integrated no-dimable driver.
Dimming Options: 0-10V Dim, DALI, Phase, CASAMBI.

Finish

Powder coat in black, white or grey colour.

Applications

Provide visually comfortable energy-efficient with general illumination with architecturally sensitive aesthetics.
Application areas: offices, receptions, hospitals, bathrooms, canopy, residential, hotels.



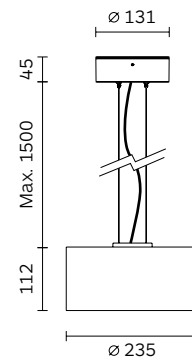
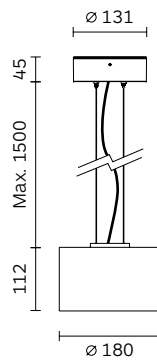
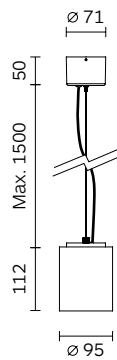


DomoLED Round



DomoLED 90 / 175 / 230

Round Pendant



Code ordering example: **7 1 2 1 B M 1 1 - 9 0 3 0 0 0 D 0 1 0**

	Product Code	Light Source Code*	>CRI	CCT	LED Power	Nominal Lumen	Beam Angle (BA°)	Driver Options	Finish
DomoLED 90 Round Pendant	7121	BM11	90	30 3000K	8W	928 lm	EW(00)	D0 No Dim	10 ■ Black
				40 4000K		976 lm			11 □ White
DomoLED 175 Round Pendant	7120				22W	2552 lm		DP Phase Dim	75 ■ Grey
						2684 lm			
DomoLED 230 Round Pendant	7119				34W	3944 lm		D1 0-10V Dim	
						4148 lm			

Notes:

* For complete code ordering information, please see page 377.

** For other CCT options, please contact us.

EW = Extra Wide. Ordering code; **00**.



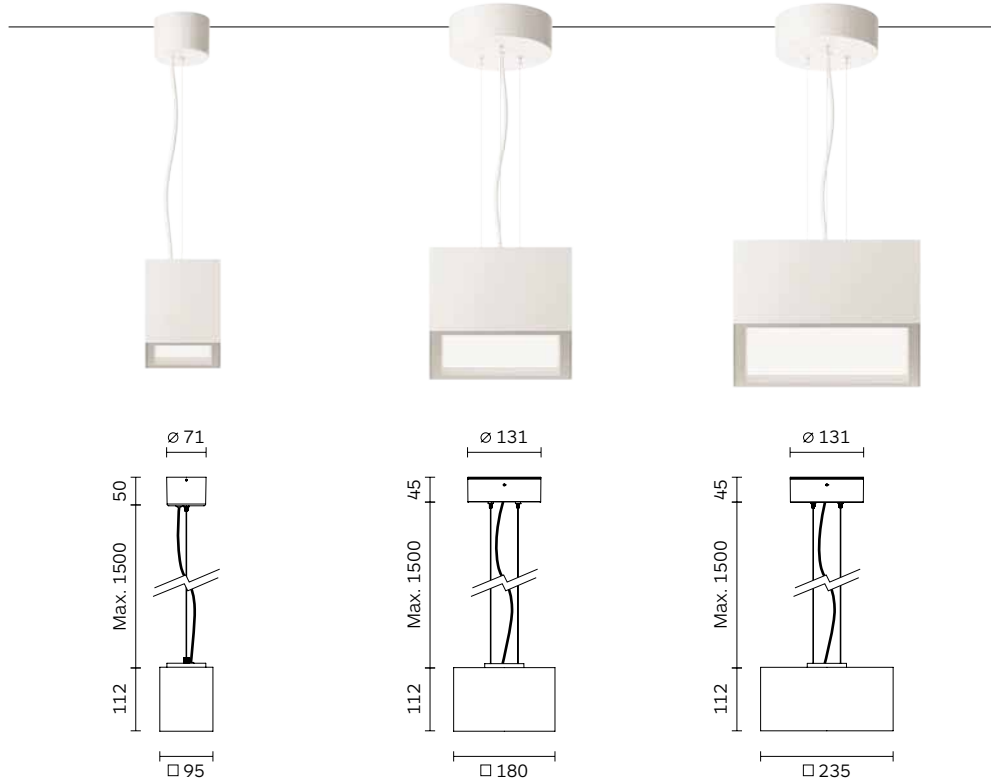


DomoLED Square



DomoLED 90 / 175 / 230

Square Pendant



Code ordering example: **7 1 2 4 B M 1 1 - 9 0 3 0 0 0 D 0 1 0**

	Product Code	Light Source Code*	>CRI	CCT	LED Power	Nominal Lumen	Beam Angle (BA°)	Driver Options	Finish
DomoLED 90 Square Pendant	7124	BM11	90	30 3000K	8W	928 lm	EW(00)	D0 No Dim	10 ■ Black
				40 4000K		976 lm			11 □ White
DomoLED 175 Square Pendant	7123				22W	2552 lm		DP Phase Dim	75 ■ Grey
						2684 lm			DC CASAMBI
DomoLED 230 Square Pendant	7122				34W	3944 lm		D1 0-10V Dim	
						4148 lm			

Notes:

* For complete code ordering information, please see page 377.

** For other CCT options, please contact us.

EW = Extra Wide. Ordering code; **00**.





DomoLED Family configuration options

Code ordering example: 7 1 2 1 B M 1 1 - 9 0 3 0 0 0 D 0 1 0

DomoLED 90 Round & Square

Pendant

Product Code	Light Source Code	>CRI	CCT	LED Power	Nominal Lumen	Beam Angle (BA°)	Driver Options	Finish
7121 Round	BM11 Samsung SMD	90	30 3000K	8W	928 lm	EW(00)	D0 No Dim	10 ■ Black
7124 Square			40 4000K		976 lm		DA Dali Dim DP Phase Dim DC CASAMBI D1 0-10V Dim	11 □ White 75 ■ Grey

DomoLED 175 Round & Square

Pendant

Product Code	Light Source Code	>CRI	CCT	LED Power	Nominal Lumen	Beam Angle (BA°)	Driver Options	Finish
7120 Round	BM11 Samsung SMD	90	30 3000K	22W	2252 lm	EW(00)	D0 No Dim	10 ■ Black
7123 Square			40 4000K		2684 lm		DA Dali Dim DP Phase Dim DC CASAMBI D1 0-10V Dim	11 □ White 75 ■ Grey

DomoLED 230 Round & Square

Pendant

Product Code	Light Source Code	>CRI	CCT	LED Power	Nominal Lumen	Beam Angle (BA°)	Driver Options	Finish
7119 Round	BM11 Samsung SMD	90	30 3000K	34W	3944 lm	EW(00)	D0 No Dim	10 ■ Black
7122 Square			40 4000K		4148 lm		DA Dali Dim DP Phase Dim DC CASAMBI D1 0-10V Dim	11 □ White 75 ■ Grey

Notes:

For other CCT options, please contact us.

