



# Circo & Quadro

Recessed Round & Square 300 | 400 | 630

## Circo



## Quadro



## Body

Round and square mounting trim in polycarbonate with brackets for trim/trimless installation on a ceiling thickness of max. 30mm.

Luminaire body in injection molded polycarbonate with easy removable satin-opal diffuser inclusive of durable silicon gasket. IP66 (dust tight and jetproof).

Easy maintenance. No tools required due to the removable diffuser. Available in three different sizes.

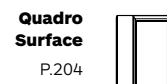
## LED sources

Samsung SMD LED.  
CRI: 90 | CCT: 3000K, 4000K.  
Other CRI and CCT options, Tuneable White and DimToWarm versions available on request.

## Optic

Equipped with acrylic satin opal diffuser.

## Related Products



## Accessories

No accessories available.

## Driver

Supplied with No-dimable integrated driver.  
Dimming Options: 0-10V Dim, DALI, Phase, CASAMBI.

## Finish

Powder coat in white colour.

## Applications

Recessed architectural decorative luminaire designed to provide specification of exceptional glare free and high IP grade quality lighting at prices to fit budgets.

Application areas: retail, hospitality, offices, schools and community buildings.

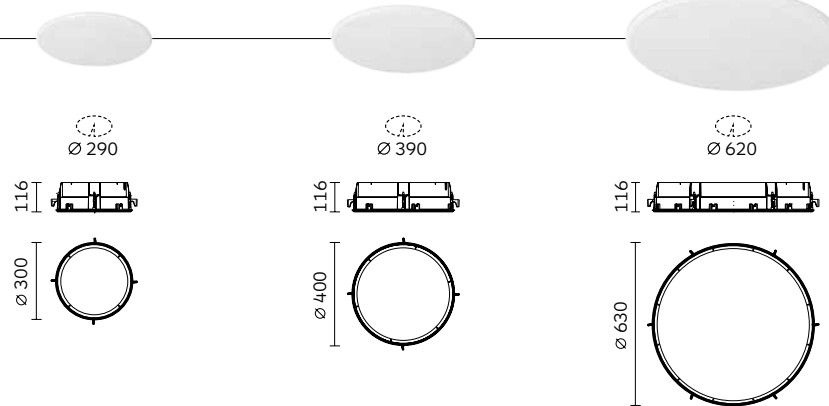


# Circo



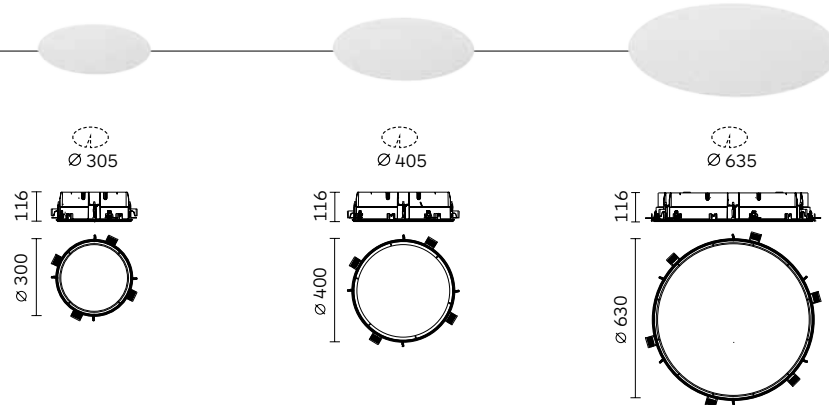
## Circo 300 / 400 / 630

Round Trim



## Circo 300 / 400 / 630

Round Trimless



Code ordering example: **RD36** **BM11** - **90** **30** **00** **D0** **11**

	Product Code	Light Source Code*	>CRI	CCT**	LED Power	Nominal Lumen	Beam Angle (BA°)	Driver Options	Finish
Circo 300 Round	<b>RD36</b> <input checked="" type="radio"/>	<b>BM11</b>	<b>90</b>	<b>30</b> 3000K	30W	2650 lm	EW( <b>00</b> )	<b>D0</b> No Dim	<b>11</b> <input type="checkbox"/> White
	<b>RD59</b> <input type="radio"/>			<b>40</b> 4000K		2850 lm		<b>DA</b> Dali Dim	
Circo 400 Round	<b>RD34</b> <input checked="" type="radio"/>				45W	3800 lm		<b>DP</b> Phase Dim	
	<b>RD57</b> <input type="radio"/>					4000 lm		<b>DC</b> CASAMBI	
Circo 630 Round	<b>RD32</b> <input checked="" type="radio"/>				80W	6800 lm		<b>D1</b> 0-10V Dim	
	<b>RD55</b> <input type="radio"/>					7100 lm			

**Notes:**

- \* For complete code ordering information, please see page 377.
- \*\* For other CCT options, please contact us.
- EW = Extra Wide. Ordering code; **00**.

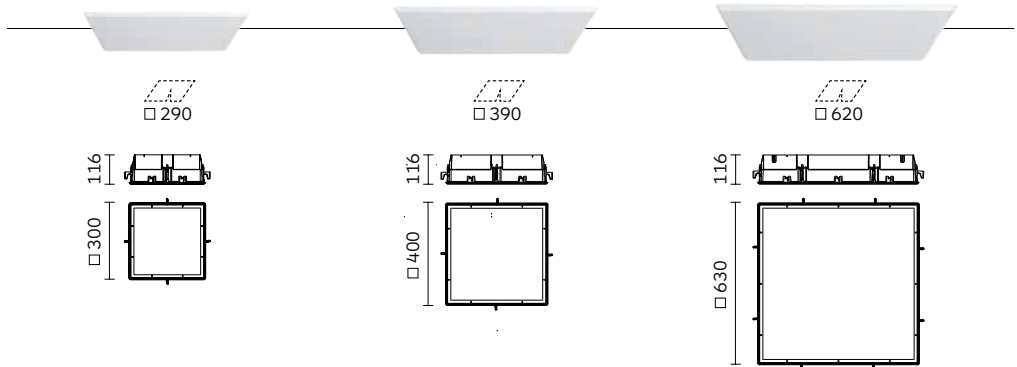


## Quadro



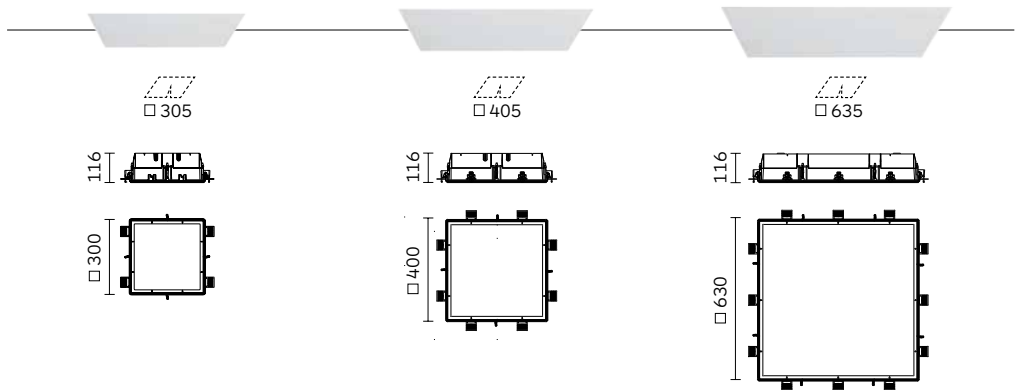
### Quadro 300 / 400 / 630

Square Trim



### Quadro 300 / 400 / 630

Square Trimless



Code ordering example: **RD35**  **BM11** - **90** **30** **000** **D0** **11**

	Product Code	Light Source Code*	>CRI	CCT**	LED Power	Nominal Lumen	Beam Angle (BA°)	Driver Options	Finish
Quadro 300 Square	<b>RD35</b> <input checked="" type="checkbox"/>	<b>BM11</b>	<b>90</b>	<b>30</b> 3000K	30W	2650 lm	<b>EW(00)</b>	<b>D0</b> No Dim	<b>11</b> <input type="checkbox"/> White
	<b>RD60</b> <input type="checkbox"/>			<b>40</b> 4000K		2850 lm		<b>DA</b> Dali Dim	
Quadro 400 Square	<b>RD33</b> <input checked="" type="checkbox"/>				45W	3800 lm		<b>DP</b> Phase Dim	
	<b>RD58</b> <input type="checkbox"/>					4000 lm		<b>DC</b> CASAMBI	
Quadro 630 Square	<b>RD31</b> <input checked="" type="checkbox"/>				80W	6800 lm		<b>D1</b> 0-10V Dim	
	<b>RD56</b> <input type="checkbox"/>					7100 lm			

#### Notes:

\* For complete code ordering information, please see page 377.

\*\* For other CCT options, please contact us.

EW = Extra Wide. Ordering code; **00**.





# Circo & Quadro Recessed Family configuration options

Code ordering example: R D 3 6 B M 1 1 - 9 0 3 0 0 0 D 0 1 1

## Circo / Quadro 300 Round & Square

Fixed

Product Code	Light Source Code	>CRI	CCT	LED Power	Nominal Lumen	Beam Angle (BA°)	Driver Options	Finish
<b>RD36</b> <input checked="" type="radio"/>	<b>BM11</b> Samsung SMD	<b>90</b>	<b>30</b> 3000K	30W	2650 lm	<b>EW(00)</b>	<b>D0</b> No Dim	<b>11</b> <input type="checkbox"/> White
<b>RD59</b> <input type="radio"/>			<b>40</b> 4000K		2850 lm		<b>DA</b> Dali Dim	
<b>RD35</b> <input checked="" type="checkbox"/>							<b>DP</b> Phase Dim	
<b>RD60</b> <input type="checkbox"/>							<b>DC</b> CASAMBI	
							<b>D1</b> 0-10V Dim	

## Circo / Quadro 400 Round & Square

Fixed

Product Code	Light Source Code	>CRI	CCT	LED Power	Nominal Lumen	Beam Angle (BA°)	Driver Options	Finish
<b>RD34</b> <input checked="" type="radio"/>	<b>BM11</b> Samsung SMD	<b>90</b>	<b>30</b> 3000K	45W	3800 lm	<b>EW(00)</b>	<b>D0</b> No Dim	<b>11</b> <input type="checkbox"/> White
<b>RD57</b> <input type="radio"/>			<b>40</b> 4000K		4000 lm		<b>DA</b> Dali Dim	
<b>RD33</b> <input checked="" type="checkbox"/>							<b>DP</b> Phase Dim	
<b>RD58</b> <input type="checkbox"/>							<b>DC</b> CASAMBI	
							<b>D1</b> 0-10V Dim	

## Circo / Quadro 630 Round & Square

Fixed

Product Code	Light Source Code	>CRI	CCT	LED Power	Nominal Lumen	Beam Angle (BA°)	Driver Options	Finish
<b>RD32</b> <input checked="" type="radio"/>	<b>BM11</b> Samsung SMD	<b>90</b>	<b>30</b> 3000K	80W	6800 lm	<b>EW(00)</b>	<b>D0</b> No Dim	<b>11</b> <input type="checkbox"/> White
<b>RD55</b> <input type="radio"/>			<b>40</b> 4000K		7100 lm		<b>DA</b> Dali Dim	
<b>RD31</b> <input checked="" type="checkbox"/>							<b>DP</b> Phase Dim	
<b>RD56</b> <input type="checkbox"/>							<b>DC</b> CASAMBI	
							<b>D1</b> 0-10V Dim	

### Notes:

For other CCT options, please contact us.





# Circo & Quadro

Pendant Round & Square 300 | 400 | 630



## Body

Pendant mounted round or square luminaires with light trim and driver canopy in aluminium.

Light body in injection moulded polycarbonate. Satin opal diffuser, inclusive of durable silicon gasket, easy removable through snap-in catch action.

Supplied with ceiling canopy and pre-installed 1.5m electrical cable with 1.5m pendant steel wires. Available in 3 different sizes.

## Accessories

No accessories available.

## Finish

Powder coat in black and white colour.

## LED sources

Samsung SMD LED.  
CRI: 90 | CCT: 3000K, 4000K.  
Other CRI and CCT options available on request.

## Optic

Equipped with acrylic satin opal diffuser.

## Driver

Inclusive of integrated no-dimable driver.  
Dimming Options: 0-10V Dim, DALI, Phase, CASAMBI.

## Applications

Architectural decorative luminaires program designed to provide specification-grade quality at prices to fit the budgets for commercial and institutional interiors.  
Application areas: retail, hospitality, offices, schools, community buildings.

### Related Products



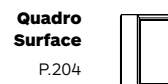
P.124



P.124



P.204



P.204



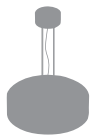
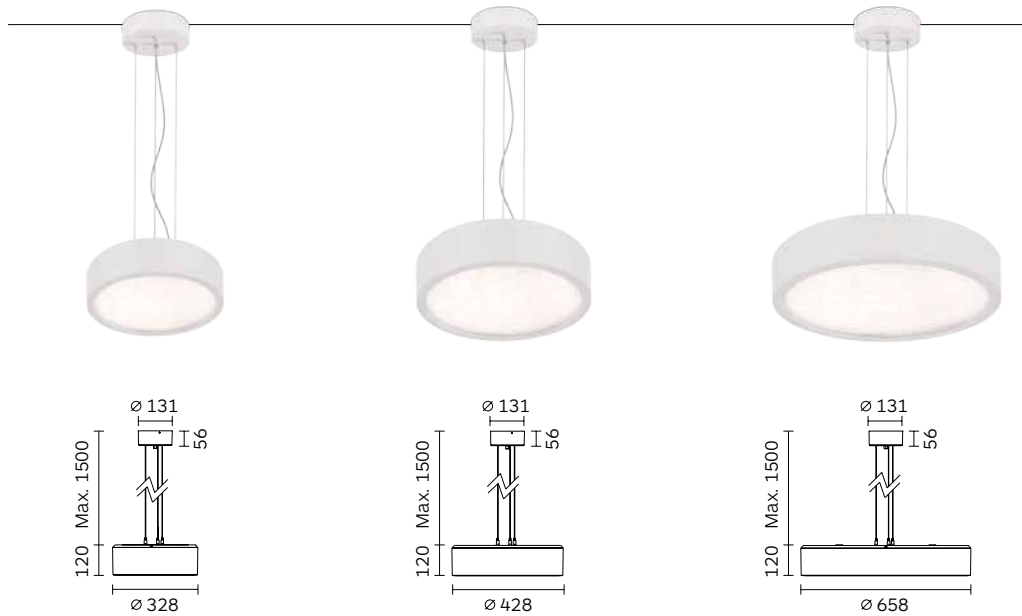


## Circo



### Circo 300 / 400 / 600

Pendant



Code ordering example: 7 1 5 9 B M 1 1 - 9 0 3 0 0 0 D 0 1 1

	Product Code	Light Source Code*	>CRI	CCT**	LED Power	Nominal Lumen	Beam Angle (BA°)	Driver Options	Finish
Circo 300 Pendant	<b>7159</b>	<b>BM11</b> Samsung SMD	<b>90</b>	<b>30</b> 3000K	30W	1326 lm	EW( <b>00</b> )	<b>D0</b> No Dim	<b>11</b> □ White
				<b>40</b> 4000K		1425 lm			
Circo 400 Pendant	<b>7156</b>				45W	3978 lm		<b>DP</b> Phase Dim	
						4275 lm			
Circo 600 Pendant	<b>7153</b>				80W	7072 lm		<b>D1</b> 0-10V Dim	
						7600 lm			

#### Notes:

\* For complete code ordering information, please see page 377.

\*\* For other CCT options, please contact us.

EW = Extra Wide. Ordering code; **00**.



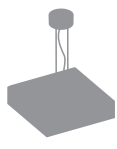
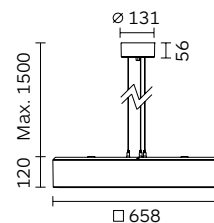
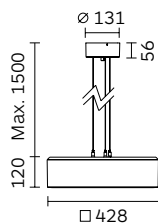
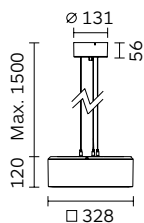


# Quadro



## Quadro 300 / 400 / 600

Pendant Square



Code ordering example: 7 1 5 0 BM 1 1 - 9 0 3 0 0 0 D 0 1 1

	Product Code	Light Source Code*	>CRI	CCT**	LED Power	Nominal Lumen	Beam Angle (BA°)	Driver Options	Finish
Quadro 300 Pendant Square	<b>7150</b>	<b>BM11</b> Samsung SMD	<b>90</b>	<b>30</b> 3000K	30W	1326 lm	EW( <b>00</b> )	<b>D0</b> No Dim	<b>11</b> □ White
				<b>40</b> 4000K		1425 lm		<b>DA</b> Dali Dim	
Quadro 400 Pendant Square	<b>7146</b>				45W	3978 lm		<b>DP</b> Phase Dim	
						4275 lm		<b>DC</b> CASAMBI	
Quadro 600 Pendant Square	<b>7143</b>				80W	7072 lm		<b>D1</b> 0-10V Dim	
						7600 lm			

### Notes:

\* For complete code ordering information, please see page 377.

\*\* For other CCT options, please contact us.

EW = Extra Wide. Ordering code: **00**.









# Circo & Quadro

Surface 300 | 400 | 600



## Body

Ceiling/wall round or square mounted luminaire with light trim in aluminium, light body and diffuser in injection moulded polycarbonate.

Diffuser finished in satin opal inclusive of durable silicon gasket, easy to remove through snap-in catch action. Available in 3 sizes.

## Accessories

No accessories available.

## Finish

Powder coat in white colour.

## LED sources

Samsung SMD LED.  
CRI: 90 | CCT: 3000K, 4000K.  
Other CRI and CCT options available on request.  
Emergency versions available upon request.

## Optic

Equipped with acrylic satin opal diffuser.

## Driver

Inclusive of integrated no-dimable driver.  
Dimming Options: 0-10V Dim, DALI, Phase, CASAMBI.

## Applications

Architectural decorative luminaires designed to provide specification-grade quality at prices to fit the budgets for commercial and institutional interiors.

Application areas: retail, hospitality, offices, schools and community buildings.

### Related Products



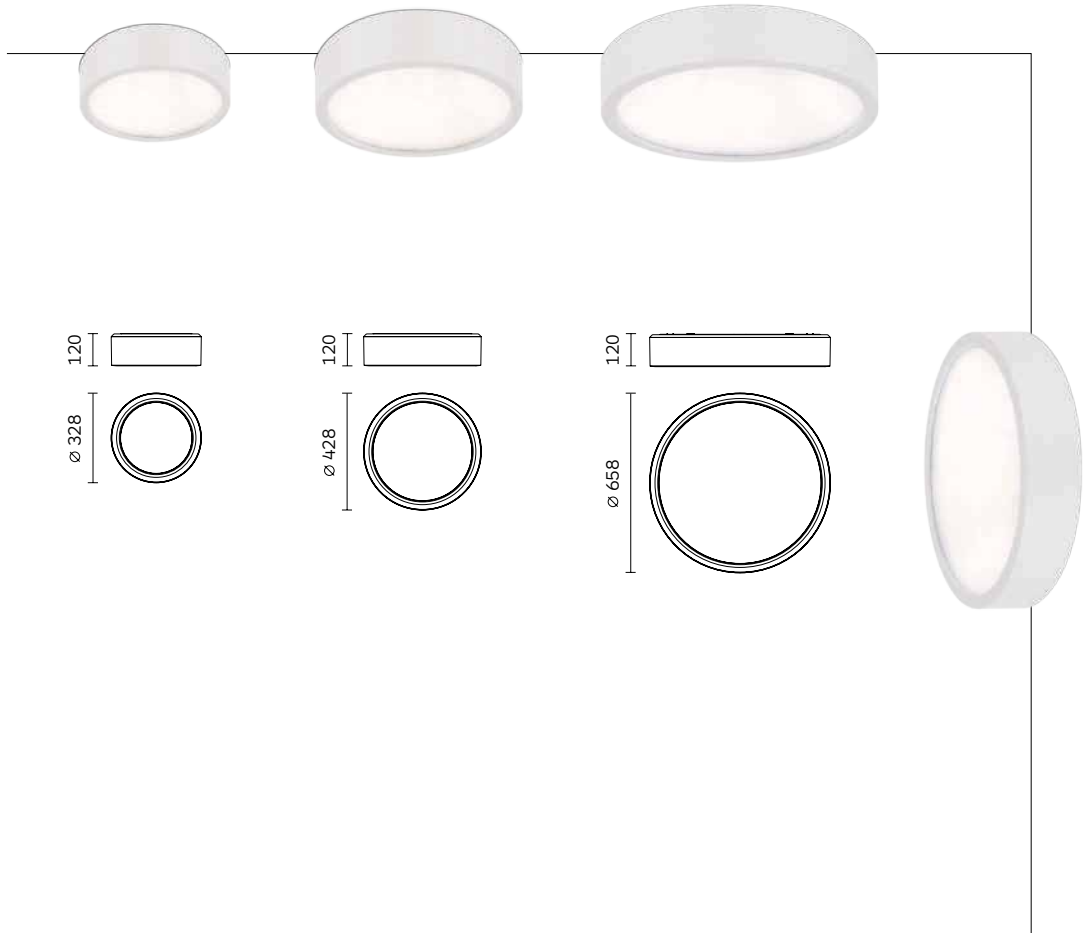


# Circo



## Circo 300 / 400 / 600

Surface



Code ordering example: **1 2 8 9 B M 1 1 - 9 0 3 0 0 0 D 0 1 1**

	Product Code	Light Source Code*	>CRI	CCT	LED Power	Nominal Lumen	Beam Angle (BA°)	Driver Options	Finish
Circo 300 Surface	<b>1289</b>	<b>BM11</b>	<b>90</b>	<b>30</b> 3000K	30W	2652 lm	EW( <b>00</b> )	<b>D0</b> No Dim	<b>11</b> □ White
				<b>40</b> 4000K		2850 lm			
Circo 400 Surface	<b>1286</b>				45W	3978 lm		<b>DA</b> Dali Dim	
						4275 lm		<b>DP</b> Phase Dim	
Circo 600 Surface	<b>1283</b>				80W	7072 lm		<b>DC</b> CASAMBI	
						7600 lm		<b>D1</b> 0-10V Dim	

### Notes:

\* For complete code ordering information, please see page 377.

\*\* For other CCT options, please contact us.

EW = Extra Wide. Ordering code; **00**.



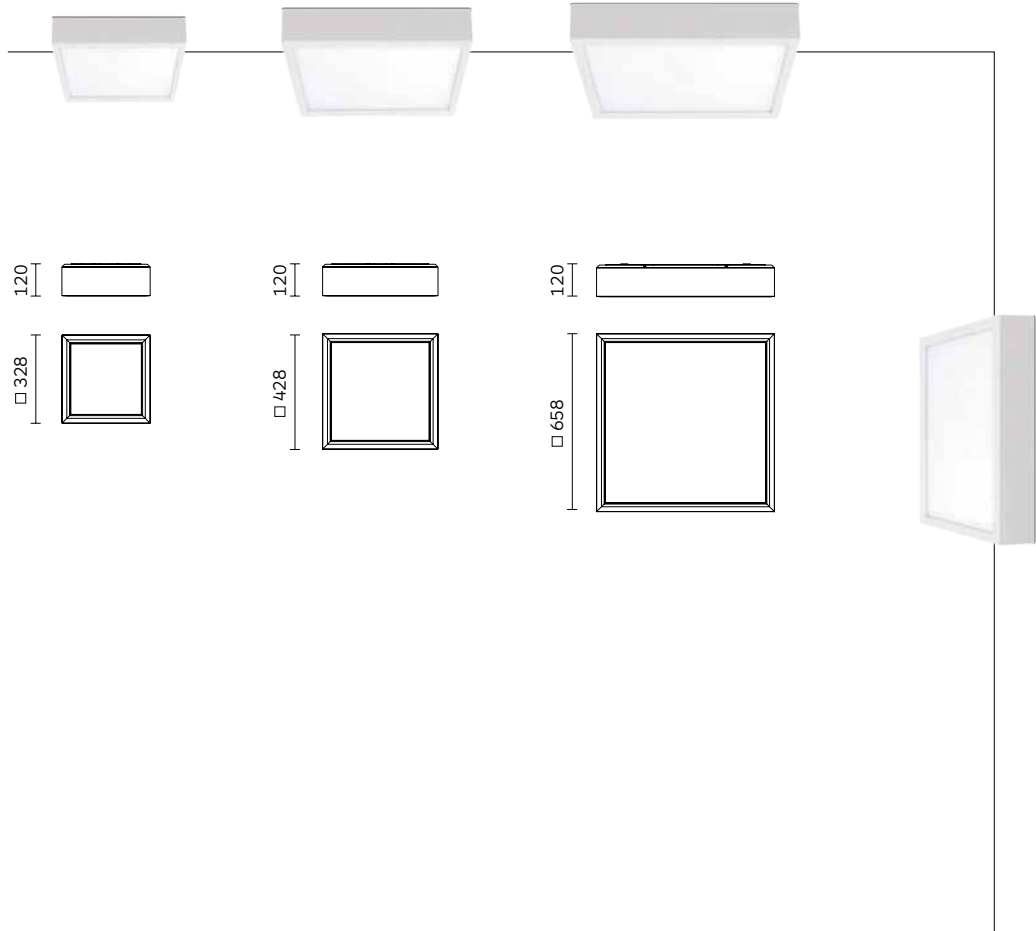


## Quadro



### Quadro 300 / 400 / 600

Surface



Code ordering example: 1 2 8 0 B M 1 1 - 9 0 3 0 0 0 D 0 1 1

	Product Code	Light Source Code*	>CRI	CCT	LED Power	Nominal Lumen	Beam Angle (BA°)	Driver Options	Finish
Quadro 300 Surface	<b>1280</b>	<b>BM11</b>	<b>90</b>	<b>30</b> 3000K	30W	2652 lm	EW(00)	<b>D0</b> No Dim	<b>11</b> □ White
				<b>40</b> 4000K		2850 lm		<b>DA</b> Dali Dim	
Quadro 400 Surface	<b>1276</b>				45W	3978 lm		<b>DP</b> Phase Dim	
						4275 lm		<b>DC</b> CASAMBI	
Quadro 600 Surface	<b>1273</b>				80W	7072 lm		<b>D1</b> 0-10V Dim	
						7600 lm			

#### Notes:

\* For complete code ordering information, please see page 377.

\*\* For other CCT options, please contact us.

EW = Extra Wide. Ordering code; **00**.





# Circo & Quadro Surface Family configuration options

Code ordering example: 1 2 8 9 B M 1 1 - 9 0 3 0 0 0 D 0 1 1

## Circo & Quadro 300

Ceiling & Wall

Product Code	Light Source Code	>CRI	CCT	LED Power	Nominal Lumen	Beam Angle (BA°)	Driver Options	Finish
<b>1289</b> Circo	<b>BM11</b> Samsung SMD	<b>90</b>	<b>30</b> 3000K	30W	2652 lm	<b>EW(00)</b>	<b>D0</b> No Dim	<b>11</b> <input type="checkbox"/> White
<b>1280</b> Quadro			<b>40</b> 4000K		2850 lm		<b>DA</b> Dali Dim <b>DP</b> Phase Dim <b>DC</b> CASAMBI <b>D1</b> 0-10V Dim	

## Circo & Quadro 400

Ceiling & Wall

Product Code	Light Source Code	>CRI	CCT	LED Power	Nominal Lumen	Beam Angle (BA°)	Driver Options	Finish
<b>1286</b> Circo	<b>BM11</b> Samsung SMD	<b>90</b>	<b>30</b> 3000K	45W	3978 lm	<b>EW(00)</b>	<b>D0</b> No Dim	<b>11</b> <input type="checkbox"/> White
<b>1276</b> Quadro			<b>40</b> 4000K		4275 lm		<b>DA</b> Dali Dim <b>DP</b> Phase Dim <b>DC</b> CASAMBI <b>D1</b> 0-10V Dim	

## Circo & Quadro 600

Ceiling & Wall

Product Code	Light Source Code	>CRI	CCT	LED Power	Nominal Lumen	Beam Angle (BA°)	Driver Options	Finish
<b>1283</b> Circo	<b>BM11</b> Samsung SMD	<b>90</b>	<b>30</b> 3000K	80W	7072 lm	<b>EW(00)</b>	<b>D0</b> No Dim	<b>11</b> <input type="checkbox"/> White
<b>1273</b> Quadro			<b>40</b> 4000K		7600 lm		<b>DA</b> Dali Dim <b>DP</b> Phase Dim <b>DC</b> CASAMBI <b>D1</b> 0-10V Dim	

**Notes:**

For other CCT options, please contact us.

