



Arena

Designed by Franco Mirezzi (Registered)



Body

Round mounting trim in cast aluminum with brackets for trim installation on a ceiling thickness max. 30mm.

Luminaire body in cast aluminium designed with integrated heat-sink for a passive heat dissipation. Available in two sizes.

Equipped with easy pull-out mechanism, tiltable vertically 0-90° and rotatable horizontally 350°.

Accessories

No accessories available.

Finish

Powder coat in white or grey colour.

LED sources

Citizen CLU series. SORAA SLE Optical Light Engine. Bridgelux V8 series.

CRI: 90, 95 | CCT: 3000K, 4000K.

Other CRI and CCT options available on request.

Optic

Lens.

Narrow, medium and wide beam angle available.

Driver

Supplied with No-dimable remote driver.

Dimming Options: 0-10V Dim, DALI, Phase, CASAMBI.

Applications

A wall washing lighting system with the ability to illuminate the vertical surface and upper area of the wall. Provide effective illumination for display of merchandise.

Application areas: retail, galleries, hospitality, residential, lobbies.

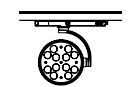
Related Products

MultiArena Recessed



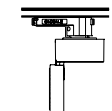
P.72

Ola Compasso Track



P.132

Arena Due Track



P.154

Arena Due Surface



P.192



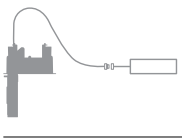
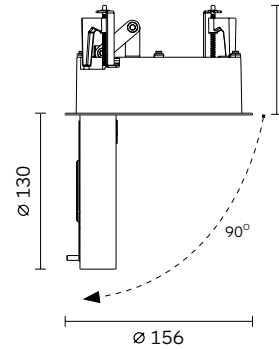
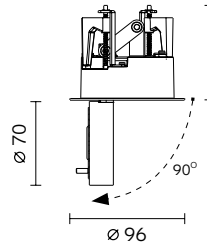
Arena


Arena 70 / 130

 Adjustable


Ø 82

Ø 142


 Code ordering example: **5 0 0 2 B C 3 1 - 9 0 3 0 1 9 D 0 1 0**

	Product Code	Light Source Code*	>CRI	CCT**	LED Power	Nominal Lumen	Beam Angle (BA°)	Driver Options	Finish
Arena 70 Adjustable	5002 <input checked="" type="radio"/>	BC31 Citizen COB	90	30 3000K	6W	616 lm	19 / 24 / 34	D0 No Dim	10 <input checked="" type="checkbox"/> Black
				40 4000K		643 lm		DA Dali Dim	11 <input type="checkbox"/> White
Arena 130 Adjustable	5001 <input checked="" type="radio"/>	BC22 Citizen COB	95		12W	1552 lm	10	DP Phase Dim	
						1577 lm		DC CASAMBI	
				BS12 Soraa SLC-16	8.7W	524 lm		D1 0-10V Dim	
				9.8W	739 lm	15 / 25 / 36			
						775 lm			

Notes:

* For complete code ordering information, please see page 377.

** For other CCT options, please contact us.



MultiArena

Designed by Franco Mirezzi (Registered)



Body

Square mounting trim in cast aluminum with clamps for trim/trimless installation mounting on a ceiling thickness max. 25mm.

Luminaire body in cast aluminium designed with integrated heat-sink for a passive heat dissipation. Available in two sizes and with configuration up to 3 light heads.

Tilttable 0-40° in all direction, and rotatable horizontally 350°.

Accessories

No accessories available.

Finish

Powder coat in black or white colour.

LED sources

Citizen CLU Series. SORAA SLE Optical Light Engine.
CRI: 90, 95 | CCT: 3000K, 4000K.
Other CRI and CCT options available on request.

Optic

Lens.
Narrow, medium and wide beam angle available.

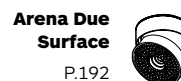
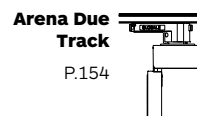
Driver

Supplied with No-dimable remote driver.
Dimming Options: 0-10V Dim, DALI, Phase, CASAMBI.

Applications

A comprehensive lighting fixture with luminaire housing in crisp high tech material designed to act as heat management for the light source while offering excellent aiming flexibility.
Application areas: retail, gyms, restaurants, hotels, window displays.

Related Products

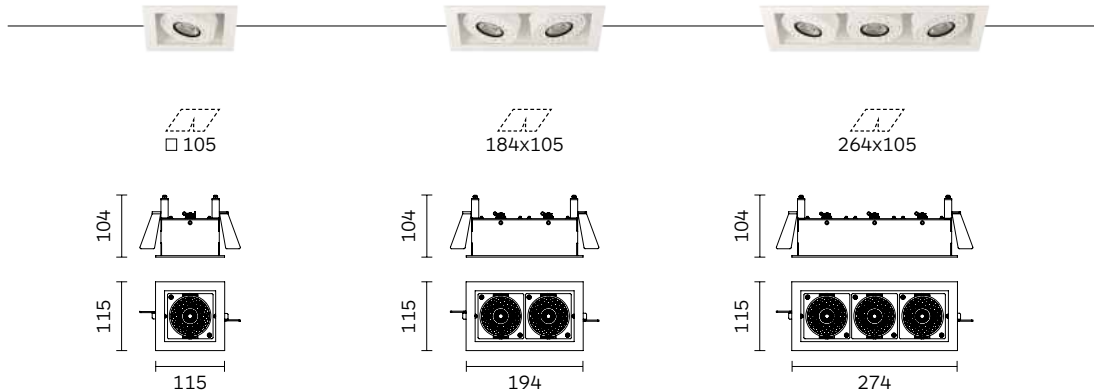


MultiArena 70



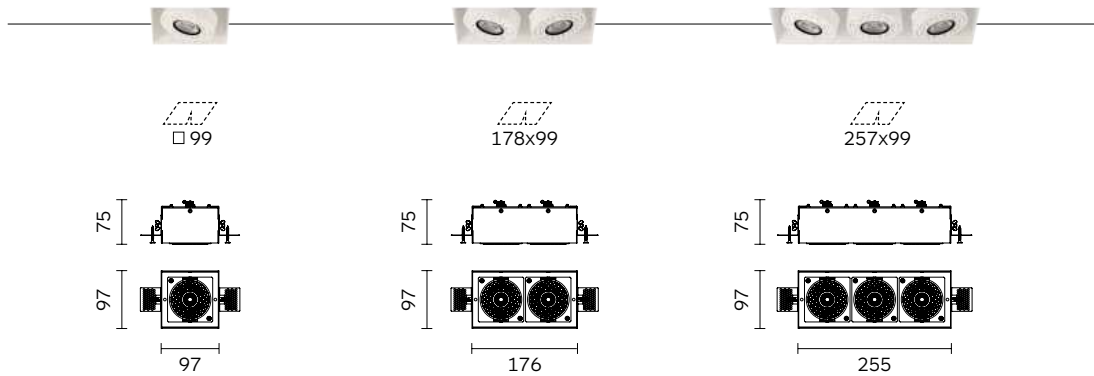
MultiArena 70

Adjustable Trim



MultiArena 70

Adjustable Trimless



Code ordering example: **RE09 BC31 - 90 30 19 D0 10**

	Product Code	Light Source Code*	>CRI	CCT**	LED Power	Nominal Lumen	Beam Angle (BA°)	Driver Options	Finish
MultiArena 70 Adjustable	RE09 <input checked="" type="checkbox"/> x1	BC31	90	30 3000K	6W	616 lm	19 / 24 / 34	D0 No Dim	10 <input checked="" type="checkbox"/> Black
	RE12 <input type="checkbox"/>			40 4000K		643 lm		DA Dali Dim	11 <input type="checkbox"/> White
	RE10 <input checked="" type="checkbox"/> x2				2x6W	1232 lm		DP Phase Dim	
	RE13 <input type="checkbox"/>					1286 lm		DC CASAMBI	
	RE11 <input checked="" type="checkbox"/> x3				3x6W	1848 lm		D1 0-10V Dim	
	RE14 <input type="checkbox"/>					1929 lm			

Notes:

- * For complete code ordering information, please see page 377.
- ** For other CCT options, please contact us.

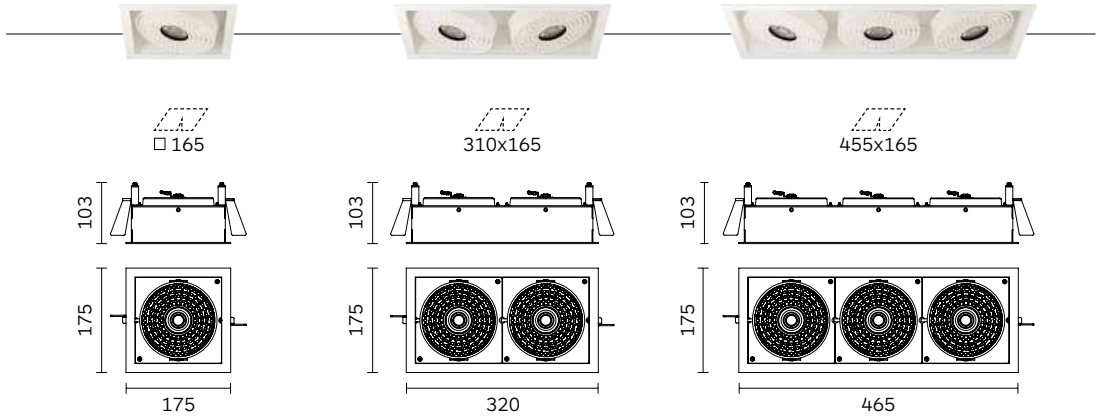


MultiArena 130



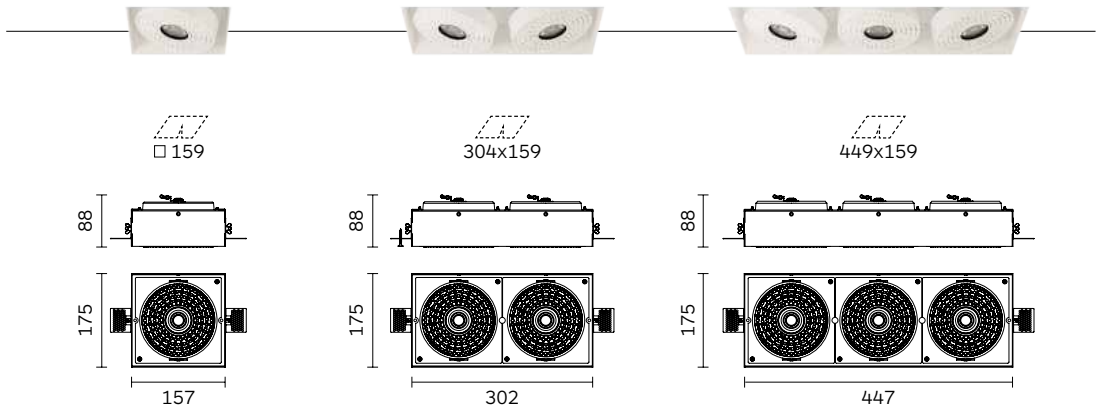
MultiArena 130

Adjustable Trim



MultiArena 130

Adjustable Trimless



Code ordering example: **RE03BC22-903019D010**

	Product Code	Light Source Code*	>CRI	CCT**	LED Power	Nominal Lumen	Beam Angle (BA°)	Driver Options	Finish
MultiArena 130 Adjustable	RE03 <input checked="" type="checkbox"/> x1	BC22	90	30 3000K	12W	1522 lm	19 / 24 / 34	D0 No Dim	10 <input checked="" type="checkbox"/> Black
	RE06 <input type="checkbox"/>			40 4000K		1577 lm		DA Dali Dim	11 <input type="checkbox"/> White
	RE04 <input checked="" type="checkbox"/> x2				2x12W	3044 lm		DP Phase Dim	
	RE07 <input type="checkbox"/>					3154 lm		DX DMX	
	RE05 <input checked="" type="checkbox"/> x3				3x12W	4566 lm		DC CASAMBI	
	RE08 <input type="checkbox"/>					4731 lm		D1 0-10V Dim	

Notes:

* For complete code ordering information, please see page 377.

** For other CCT options, please contact us.





MultiArena Recessed Family configuration options

Code ordering example: RE09BC31 - 903019D010

MultiArena 70

Adjustable

Product Code	Light Source Code	>CRI	CCT	LED Power	Nominal Lumen	Beam Angle (BA°)	Driver Options	Finish
RE09 <input checked="" type="checkbox"/> x1	BC31 Citizen COB	90	30 3000K	6W	616 lm	19 / 24 / 34	D0 No Dim	10 <input checked="" type="checkbox"/> Black
RE12 <input type="checkbox"/>			40 4000K		643 lm		DA Dali Dim	11 <input type="checkbox"/> White
RE10 <input checked="" type="checkbox"/> x2							DP Phase Dim	
RE13 <input type="checkbox"/>							DC CASAMBI	
RE11 <input checked="" type="checkbox"/> x3							D1 0-10V Dim	
RE14 <input type="checkbox"/>								

MultiArena 130

Adjustable

Product Code	Light Source Code	>CRI	CCT	LED Power	Nominal Lumen	Beam Angle (BA°)	Driver Options	Finish
RE03 <input checked="" type="checkbox"/> x1	MC21 Citizen COB	90	30 3000K	12W	1552 lm	19 / 24 / 34	D0 No Dim	10 <input checked="" type="checkbox"/> Black
RE06 <input type="checkbox"/>			40 4000K		1577 lm		DA Dali Dim	11 <input type="checkbox"/> White
RE04 <input checked="" type="checkbox"/> x2	BS12 Sora SLC-16	95		8.7W	524 lm	10	DP Phase Dim	
RE07 <input type="checkbox"/>					547 lm		DC CASAMBI	
RE05 <input checked="" type="checkbox"/> x3				9.8W	739 lm	15 / 25 / 36	D1 0-10V Dim	
RE08 <input type="checkbox"/>					775 lm			

Notes:

For other CCT options, please contact us.





Arena Due

Designed by **Franco Mirezzi** (Registered)



Body

Track mounted spotlight with luminaire body and driver box in cast aluminium.

Available with 3 circuit universal track adapter or Dali track adapter. Luminaire body designed with integrated heat-sink for a passive heat dissipation.

Versatile aiming angle tiltable vertically 0°-90° and rotatable horizontally 350°. Possibility to lock the fixture at the desired tilt angle.

Accessories

No accessories available.

Finish

Powder coat in white or grey colour.

LED sources

Citizen CLU series. SORAA SLE Optical Light Engine. CRI: 90, 95 | CCT: 3000K, 4000K. Other CRI and CCT options available on request.

Optic

Lens. Narrow, medium and wide beam angle available.

Driver

Supplied with no-dimable driver. Dimming Options: 0-10V Dim, DALI, Phase, CASAMBI.

Applications

A modern design consisting of simple cylinders to act as heat management for the purpose to meet the highest requirements of the latest advanced lighting technology. Application areas: retail, museums, hospitality, residential, offices, lobbies.

Related Products

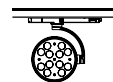
Arena Recessed
P.70



MultiArena Recessed
P.72



Ola Compasso Track
P.132



Arena Due Surface
P.192

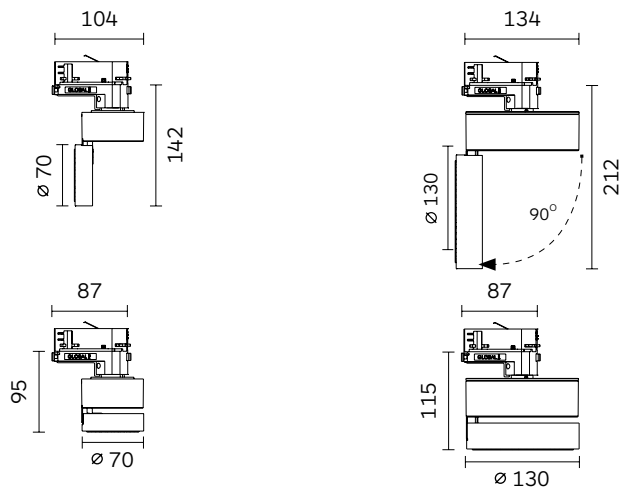


Arena Due



Arena Due 70 / 130

Track



Code ordering example: **6 2 7 6 B C 3 1 - 9 0 3 0 1 9 D 0 1 1**

	Product Code	Light Source Code*	>CRI	CCT**	LED Power	Nominal Lumen	Beam Angle (BA°)	Driver Options	Finish
Arena Due 70 Track	6276	BC31 Citizen COB	90	30 3000K	6W	616 lm	19 / 24 / 34	D0 No Dim	11 □ White
				40 4000K		643 lm		DA Dali Dim	75 ■ Grey
								DP Phase Dim	
Arena Due 130 Track	6274	BC22 Citizen COB	95		12W	1552 lm	19 / 24 / 34	D0 No Dim	
						1577 lm		DA Dali Dim	
		BS12 Soraa SLC-16			8.7W	524 lm	10	DP Phase Dim	
					9.8W	739 lm	15 / 25 / 36	DC CASAMBI	D1 0-10V Dim
					775 lm				

Notes:

- * For complete code ordering information, please see page 377.
- ** For other CCT options, please contact us.



Arena

Surface 70 | 130



Body

Wall/ceiling mounted luminaire with light body in cast aluminium designed with integrated heat-sink for a passive heat dissipation. Available in two sizes.

Equipped with pull-out mechanism, tiltable vertically 0-90° and rotatable horizontally 350°. Fixture can be easily locked at the chosen angle.

Accessories

No accessories available.

Finish

Powder coat in white or grey colour.

LED sources

Citizen CLU series. SORAA SLE Optical Light Engine.
CRI: 90, 95 | CCT: 3000K, 4000K.
Other CRI and CCT options available on request.

Optic

Lens.
Narrow, medium and wide beam angle available.

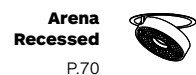
Driver

Driver canopy supplied with No-dimable driver.
Dimming Options: 0-10V Dim, DALI, Phase, CASAMBI.

Applications

Its crisp high tech design integrates well with virtually any interior while offering excellent aiming flexibility. When mounted on the wall it makes an ideal indirect light fixture. Application areas: museums, retail, hospitality, office lobbies.

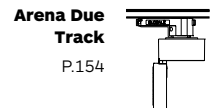
Related Products



P.70



P.72



P.154



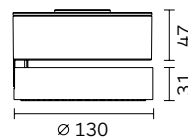
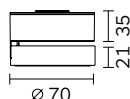
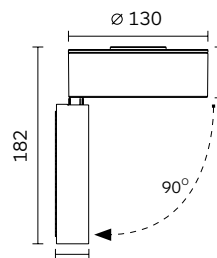
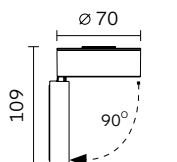


Arena



Arena 70 / 130

Surface



Code ordering example: 1 1 5 2 B C 3 1 - 9 0 3 0 1 9 D 0 1 1

	Product Code	Light Source Code*	>CRI	CCT**	LED Power	Nominal Lumen	Beam Angle (BA°)	Driver Options	Finish
Arena 70 Surface	1152	BC31 Citizen COB	90	30 3000K	6W	616 lm	19 / 24 / 34	D0 No Dim	11 □ White
				40 4000K		643 lm		DP Phase Dim	75 ■ Grey
Arena 130 Surface	1151	BC22 Citizen COB	95		12W	1552 lm	19 / 24 / 34	D0 No Dim	
						1577 lm		DA Dali Dim	
					8.7W	524 lm	10	DP Phase Dim	
						547 lm		DC CASAMBI	
		9.8W	739 lm	15 / 25 / 36	D1 0-10V Dim				
						775 lm			

Notes:

- * For complete code ordering information, please see page 377.
- ** For other CCT options, please contact us.

